

# V-4072 MINI DOME INDOOR/OUTDOOR WI-FI HD VIDEO CAMERA

## Installation Guide

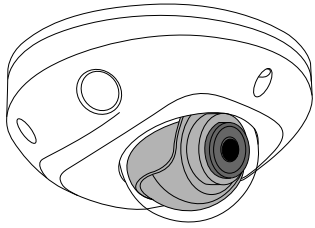


Figure 1: Mini Dome Camera

### DESCRIPTION

The V-4072MD is a 2 Megapixel indoor/outdoor Wi-Fi video camera that allows users to view live and recorded HD video clips in Virtual Keypad™.

To activate the camera, you need an active Dealer Admin account at [dealer.securecomwireless.com](http://dealer.securecomwireless.com).

### Compatibility

- Any active Virtual Keypad account with **SecureCom Cameras & NVRs** enabled
- V-4000-EXT10-12V 10 foot extension cable

### What is Included?

- One V-4072MD camera
- 12 VDC power supply
- Hardware pack

**SecureCom**  
video

## 1 REMOVE THE COVER

Using the included L-key to remove the cover from the camera. Leave the screws in the cover.

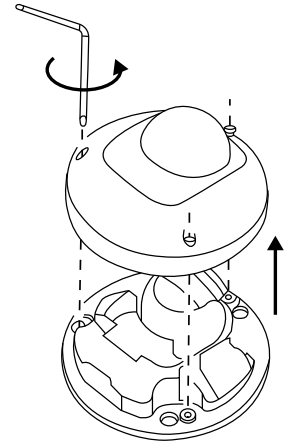


Figure 2: Remove Cover

## 2 MOUNT THE PLATE

1. After running the power and/or network wires to the location of the camera, thread the wires through the mounting plate.
2. Attach the mounting plate to the ceiling using the included screws and standoffs from the small hardware bag. See Figure 3.

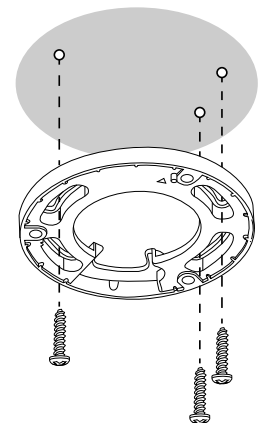


Figure 3: Mounting Plate

## 3 ADJUST THE CAMERA

Loosen the adjustment screw to turn the lense in the desired direction of view using the lense adjustment wrench. Do not remove the screw completely.

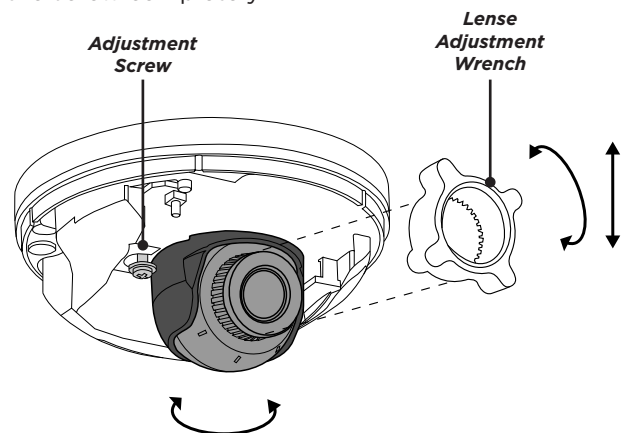


Figure 4: Camera Range of Motion

# 4 WIRE THE CAMERA

Before connecting the Ethernet cable or PoE cable, install the waterproof Ethernet cap if desired. Refer to Figure 5.

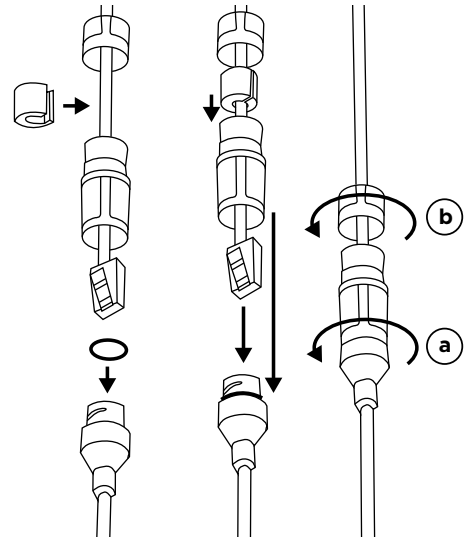


Figure 5: Installing the Waterproof Ethernet Cap

# 5 PLUG IN THE CAMERA

Remove the cap from the end of the power supply.

## Standard Power Connection

Connect the included 12 VDC power supply and optional extension cable to the camera power connector. See Figure 6.

If you are not using Wi-Fi, connect a network cable to the camera Ethernet connector.

## PoE Connection

Connect a network cable to the camera Ethernet connector. On the other end of the connector, connect the cable to a PoE switch or injector.

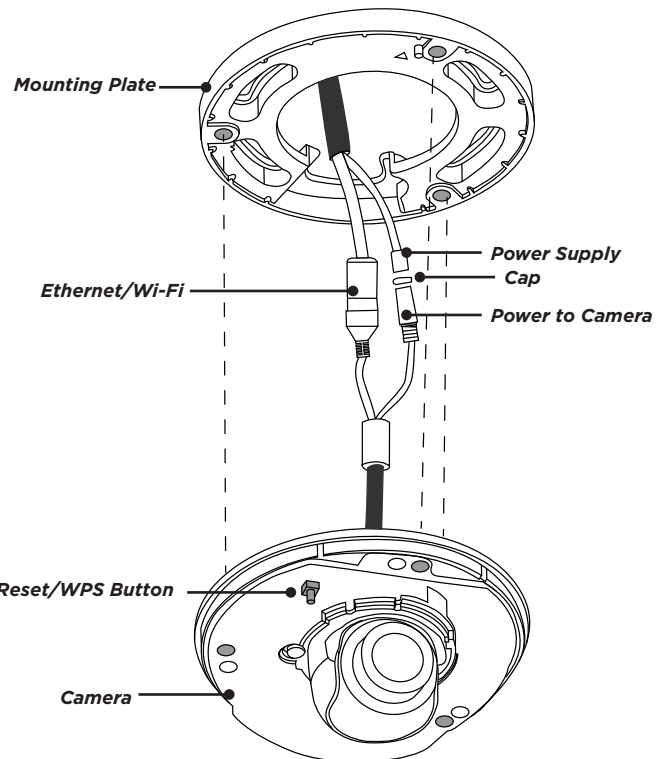


Figure 6: Ethernet and Power Supply

# 6 MOUNT THE CAMERA

Attach the camera to the mounting plate with three included screws. See screw hole locations in Figure 6.

# 7 CONNECT THE CAMERA TO WI-FI

Select one of the following connection methods and complete the appropriate steps to configure the camera.

**Note:** SecureCom recommends marking the Ethernet cable from the customer's router to the WAP to help with network troubleshooting.

## Connect to a SecureCom WAP

Verify that the WAP is powered. Plug the camera's 12 VDC power supply into a standard 120 V electrical outlet. The camera starts auto-pairing when powered.

## Connect to a Router with WPS

You can also connect the camera to the WAP using WPS. See the following instructions:

1. Press and hold the Reset/WPS button on the camera for 3 seconds. See Figure 6 for button location.
2. Refer to the router's instruction manual to place the router in WPS mode.

# 8 ATTACH THE COVER TO THE CAMERA

Attach the cover with the three screws already in the cover. See Figure 7.

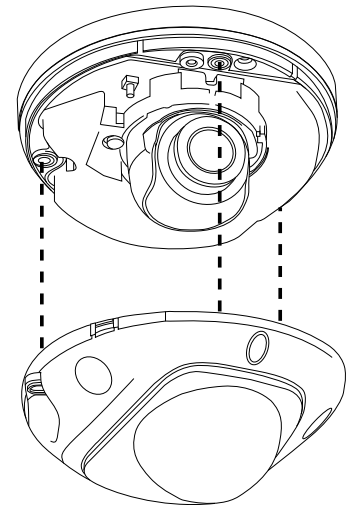


Figure 7: Attach Cover

# 9 ACTIVATE THE CAMERA

After you've connected the camera to Wi-Fi or network, activate it in Dealer Admin.

1. Log in to Dealer Admin.
2. Find the customer and select the system. Select **Edit**.
3. Verify that, in **Video, SecureCom Cameras & NVR** is enabled, then press **Save**.
4. On the **System Information** page, press the Add Camera button and enter the camera's serial number. Press **Next**.
5. Enter a name for the camera.
6. Select the camera's time zone and DST setting.
7. If the camera image needs to be inverted due to mounting position, toggle **Flip Image**.
8. Choose the desired video quality:
  - a. High = 1920 x 1080
  - b. Medium = 1280 x 720
  - c. Low = 640 x 480
9. To configure clip recording options, select **Clips**.
  - a. If you don't want this camera to record video clips any time it detects motion, choose **Never**.
  - b. If you want this camera to record video clips any time it detects motion, choose **Always**.
  - c. If you want the camera to record motion-triggered clips only when the system is armed, choose **Only When Armed**.
10. To record video clips continuously during the first minute after the system triggers an alarm, enable **Record on Alarm**.
11. Press **Save**.

## ADDITIONAL INFORMATION

### Enable Email Clips

If the user would like to be emailed video clips, enable **Email Video Clips** in Dealer Admin. When this feature is enabled, video clips are emailed to the app user.

1. Find the customer and select their name.
2. In **App Users**, find the user's row, select the More icon, then select **Edit**.
3. Select **Email Video Clips**, then press **Save**.

### Alternative Wiring Option

If you are running wires along the ceiling, instead of through it, remove the knockout in the mounting plate before mounting.

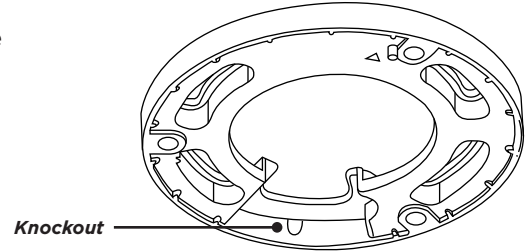
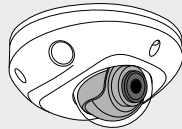


Figure 8: Knockout Location

## V-4072 MINI DOME INDOOR/OUTDOOR HD VIDEO CAMERA



### Specifications

#### Sensor and Lens

Image Sensor 2 MP, 1/2.7" CMOS

#### Network

IP Protocol IPv4

#### Wi-Fi

Standard 802.11 B/G/N  
Range Max 165 feet  
Security WPA, WPA2

#### Hardware

Power Consumption  
12 VDC Max 8.5 W  
PoE (802.3af) Max 10.0 W  
Weight 0.90 lbs (0.4 kg)  
Dimensions 4.3" x 2.2" (11 cm x 5.64 cm)  
Housing Material  
Front cover Plastic  
Mounting plate Plastic  
Camera base Metal

#### Environmental

Operating Temperature -22° to 140° F (-30° to 60° C)  
Operating Humidity 95% or less (non-condensing)

#### Ordering Information

V-4072MD Mini Dome Indoor/Outdoor HD  
Video Camera

#### Accessories

371-500B-W Replacement 12 VDC Power Supply  
V-4000-EXT10-12V Extension Cable (10 feet)

#### Compatibility

Any active Virtual Keypad account with **SecureCom Cameras & NVRs** enabled

**SecureCom**  
video

Designed, engineered, and  
manufactured in Springfield, MO  
using U.S. and global components.

LT-2212 20322

© 2020

INTRUSION • FIRE • ACCESS • NETWORKS

2500 North Partnership Boulevard  
Springfield, Missouri 65803-8877

800.641.4282 | DMP.com