

Com Series™

HOW-TO GUIDE: ECP PASSTHRU



LT-2209 20421

© 2020

TABLE OF CONTENTS

ECP Passthru Overview	1
Required Materials.....	1
Mount the Communicator	2
Wire the Communicator	2
Program the Communicator	3
Program Vista Keypad Device Address 20.....	3
Change Keypad Input to ECP	3
Auto-Configure the ECP Panel.....	3
Additional Information.....	4
Remote Programming.....	4
Virtual Keypad.....	4
VISTA Panel Compatibility	5

ECP PASSTHRU OVERVIEW

CellCom and DualCom Universal Communicators enable you to take over and manage ECP panels with connection to the ECP Bus. This feature is called ECP Passthru.

Required Materials

The following software and hardware components are required to perform system takeovers:

- Compatible Honeywell VISTA panel (refer to “VISTA Panel Compatibility”)
- CellCom or DualCom with firmware Version 202 or higher
- Programming keypad
- Model 330 or Model 330-24V programming cable
- Cat 5 Ethernet cable (only when using network)
- 18-22 AWG unshielded wire (RYGB)
- Remote Link Version 2.02 or higher

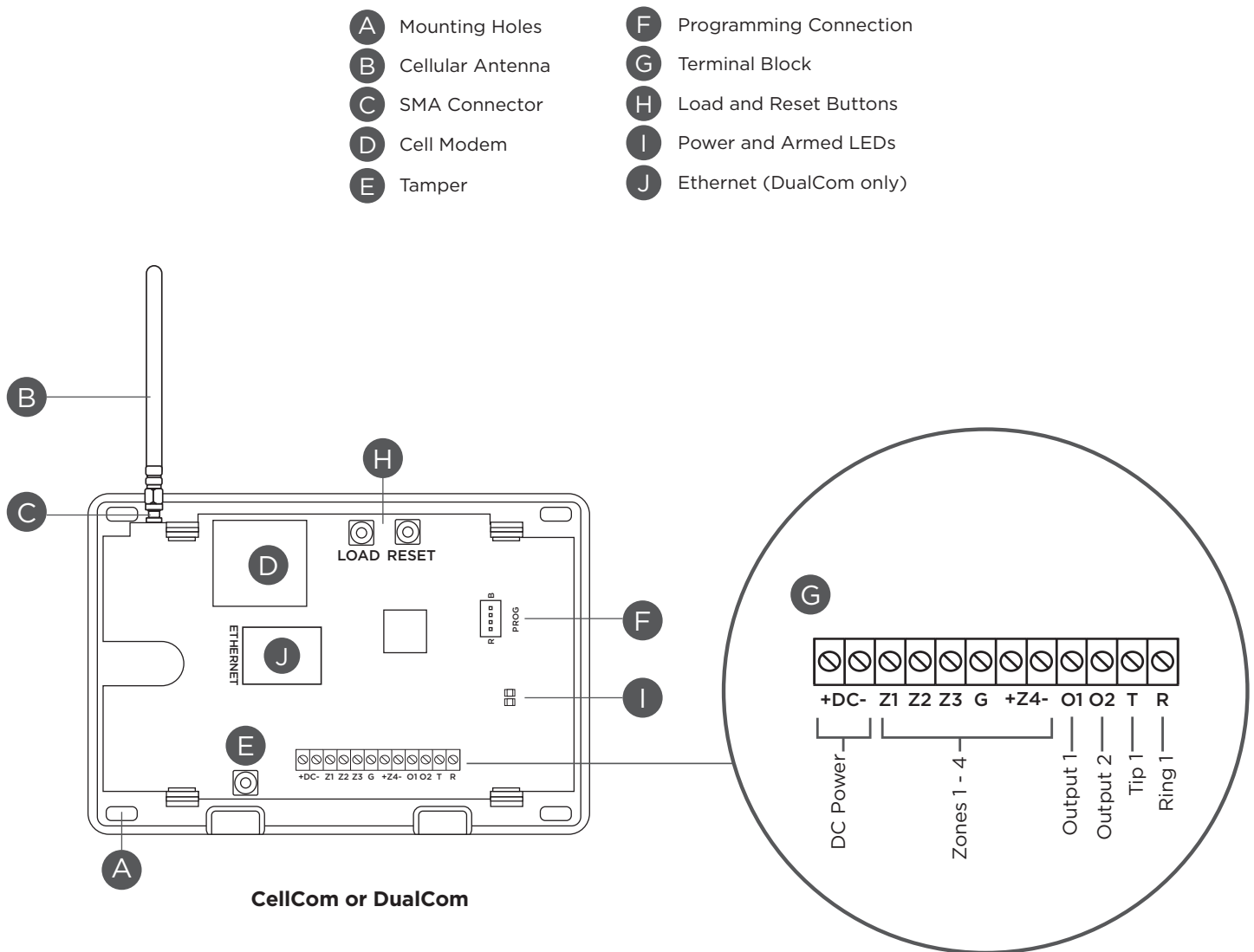


Figure 1: CellCom and DualCom Components

MOUNT THE COMMUNICATOR

It is not necessary to remove the PCB from the housing when installing the communicator. The communicator should be mounted to a wall using the included #6 screws in the mounting holes. Refer to Figure 1 for mounting hole locations. Mount the communicator in a secure, dry place to protect it from tampering and weather damage. If using a 685 Series Conduit Backbox, refer to the [685 Installation Sheet \(LT-1431\)](#) for mounting instructions.

WIRE THE COMMUNICATOR

The communicator can be connected to the ECP Bus of a Honeywell panel. See Table 1 and Figure 2 for the necessary wiring connections.

⚡ Caution: Remove all AC and battery power from the panels before wiring.

1. Attach the antenna to the SMA connector. Refer to Figure 1.
2. Connect system batteries as needed, then connect the panels to an appropriate power source.
3. Connect a programming keypad to the communicator.
 - a. For 12 VDC applications, connect the keypad to the communicator PROG header with a Model 330 programming harness.
 - b. For 24 VDC applications, connect the keypad to the communicator PROG header with a Model 330-24V programming harness with an in-line resistor.

Communicator to ECP Wiring	
Communicator	Honeywell ECP Bus
+DC	Keypad Power
-DC	Keypad GND
Z4+	Data Out
Z4-	Data In

Table 1: ECP Wiring

4. After programming is complete, remove the keypad and replace the housing cover on the mounted base.

📄 Note: Address 1 is reserved by the system for programming keypads.

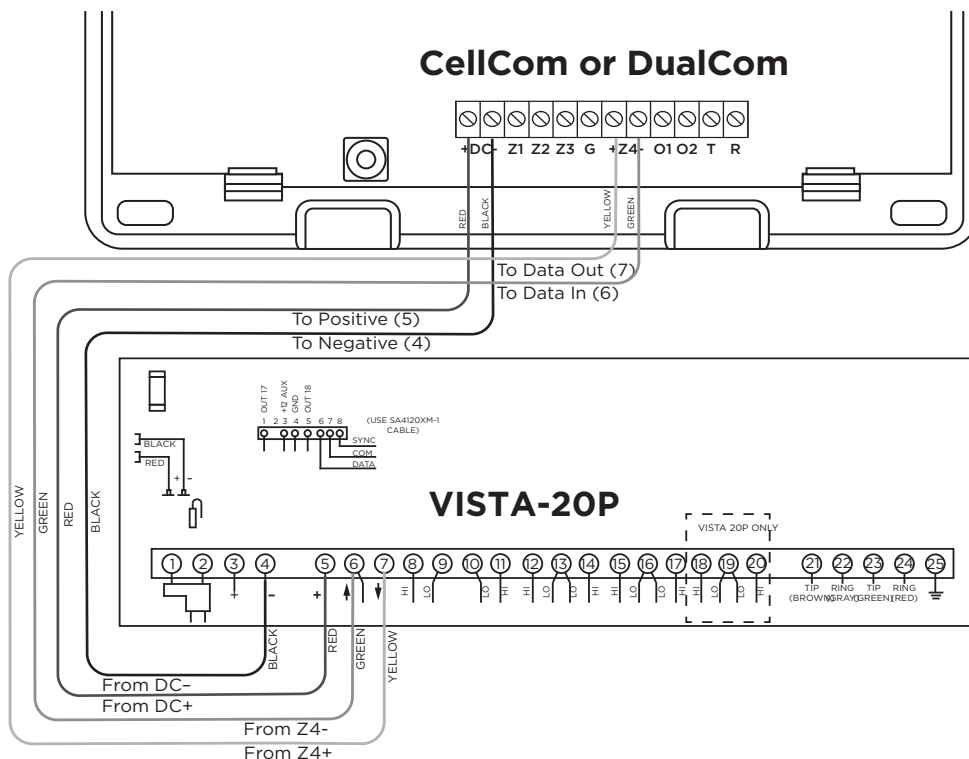


Figure 2: ECP Wiring

PROGRAM THE COMMUNICATOR

This section assumes that you've already programmed basic communicator settings. For more complete information about programming, refer to the [CellCom Installation Guide \(LT-1817\)](#) or the [DualCom Installation Guide \(LT-1859\)](#).

To advance through the programming menu, press **CMD**. To go back, press the Back Arrow key. To enter a menu, press any select key or area. To select an option, press the select key or area under that option.

1 Program Vista Keypad Device Address 20

1. Power down and then power up the Honeywell panel.
2. Within 1 minute of powering up the Honeywell panel, simultaneously press and hold the **#** and ***** buttons on the keypad.
3. The keypad displays **INSTALLER CODE**. Enter the installer code (default is **4112**), followed by **8 0 0**.
4. Enter ***193**, then enter **1 0**.
5. To save and exit programming, enter ***99**.

2 Change Keypad Input to ECP

1. Press and release the communicator Reset button.
2. At the communicator keypad, enter **6653** (PROG) and press **CMD**.
3. Advance to **SYSTEM OPTIONS**, then press any select key or area to enter the menu.
4. Advance to **KYPD INPUT**, then press any select key or area.
5. Press the third select key or area to select **ECP**.
6. To save programming, advance to **STOP** and press any select key or area.

3 Auto-Configure the ECP Panel

Universal Communicators with firmware Version 202 and higher enable installers to automatically configure ECP panels for Passthru communication. Refer to Table 2 for programming messages and troubleshooting steps.

1. Ensure the ECP panel IP address is set as default.
2. At the communicator keypad, enter **2313** (DIAG) and press **CMD**.
3. Advance to **ECP SETUP** and press any select key or area.
4. At **ECP SETUP VISTA 128?** If the panel is a VISTA 128, select **YES**. If the panel is a different model, select **NO**.
5. At **INST CODE**, enter the ECP panel installer code and press **CMD**.
6. After configuration is finished, the keypad advances to **GET ZONES**. Press any select key or area.

As the communicator retrieves zones from the ECP panel, the number of zones is displayed and incremented as **ZONE CT** (zone count).

Message	Meaning	Next Steps
PROGRAMMING	The communicator is attempting to configure ECP panel programming settings for ECP Passthru.	Wait for the configuration attempt to complete. Afterward, a programming status message is displayed (success, fail, or busy).
PROGRAM SUCCESS	The ECP panel has been successfully configured.	Finish configuration at GET ZONES .
PROGRAM FAIL	The ECP panel could not be programmed.	Check wiring connections and communication settings, then retry programming.
BUS IS BUSY	The ECP panel could not be programmed due to high ECP bus traffic.	Wait and retry programming or reduce traffic on the ECP bus, then retry programming.

Table 2: Programming Messages and Troubleshooting

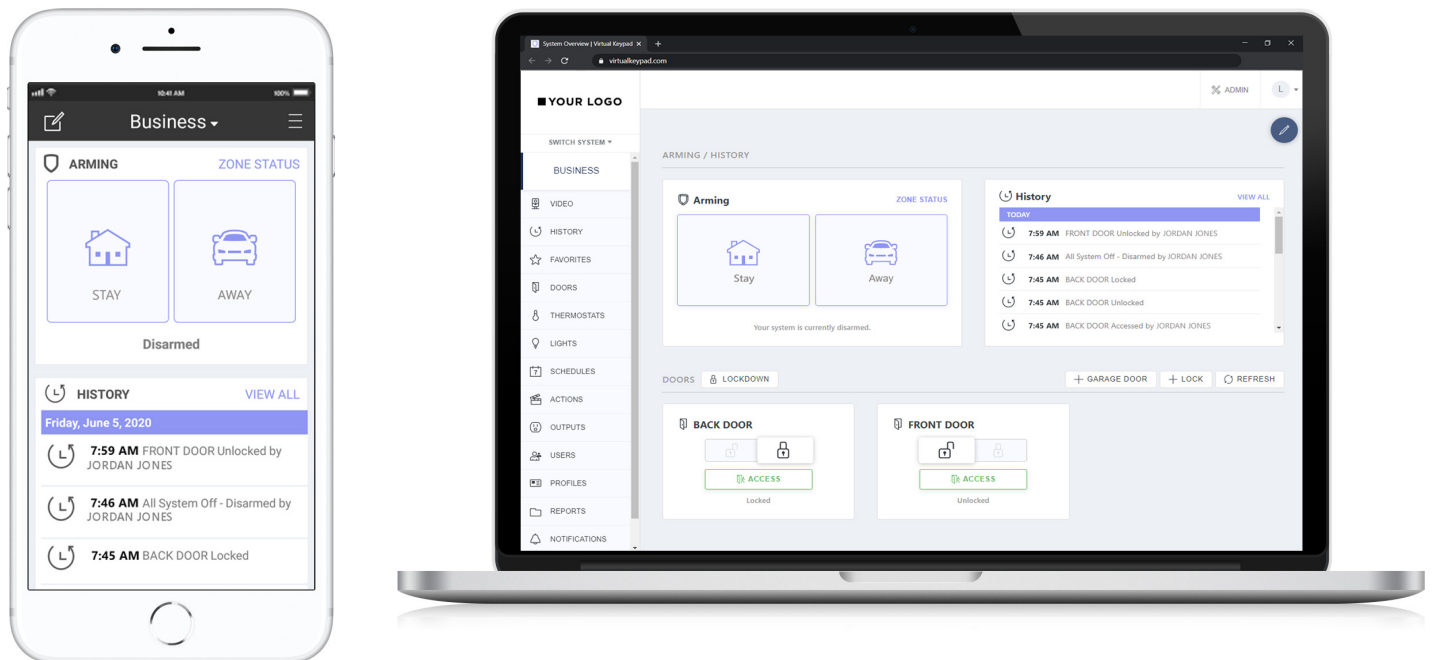
ADDITIONAL INFORMATION

Remote Programming

VISTA panels can be remotely programmed with Remote Link and Honeywell's Compass® software. For information about configuring Compass to work with Remote Link on a passthru system, refer to [Remote Link How-To Guide: ECP Passthru Compass Setup \(LT-1944\)](#).

Virtual Keypad

Virtual Keypad enables users to manage their systems remotely, including arming, disarming, viewing zone status, bypassing zones, view history, manage users, and more.



VISTA Panel Compatibility

Panel Type	ECP	Remote User Management	Remote Arming/Disarming	Remote Zone Status	Compatible with Compass
VISTA-10SE	Rev 15 or higher	No	No	No	No
VISTA-10P	Yes	Yes	Yes	Yes	Firmware version 2.0 or higher
VISTA-15	Yes	No	No	No	No
VISTA-15P	Yes	Yes	Yes	Yes	Firmware version 5.2 or higher
VISTA-20SE	Rev 12 or higher	No	No	No	No
VISTA-20P	Yes	Yes	Yes	Yes	Firmware version 5.2 or higher
VISTA-20PI	Yes	Yes	Yes	Yes	Firmware version 5.0 or higher
VISTA-21iP	Yes	Yes	Yes	Yes	Yes
VISTA-21iPLTE	Yes	Yes	Yes	Yes	Yes



Note: Panels must be programmed as Stay/Away for remote arming and disarming (No Partitions).

Vista 32, 40, 50, 128, 250 are not compatible with ECP Virtual Keypad and eSuite.



*Designed, engineered,
and manufactured in
Springfield, Missouri*

INTRUSION • FIRE • ACCESS • NETWORKS

2500 North Partnership Boulevard
Springfield, Missouri 65803-8877

800.641.4282 | dmp.com