

V-4052D INDOOR/OUTDOOR HD VIDEO CAMERA

Installation Guide



Figure 1: V-4052D Camera

DESCRIPTION

The V-4052D is a 2 Megapixel indoor/outdoor video camera that allows users to view live and recorded HD video clips in Virtual Keypad™.

To activate the camera, you need an active Dealer Admin account at dealer.securecomwireless.com.

Compatibility

- Any active Virtual Keypad account with **SecureCom Cameras & NVRs** enabled

What is Included?

- One V-4052D Camera
- Mounting Template
- Hardware Pack with Security Torx L-Key

SecureCom
video

1 WIRE THE CAMERA

Before connecting the Ethernet cable, install the waterproof Ethernet cap if desired. Refer to Figure 2.

Standard Power Connection

Connect a 12 VDC power source (not included) to the camera power connector. Connect a network cable to the camera Ethernet connector. For compatible power supplies, refer to "Accessories".

PoE Connection

Connect a network cable to the camera Ethernet connector. Connect the cable to a PoE switch or injector.

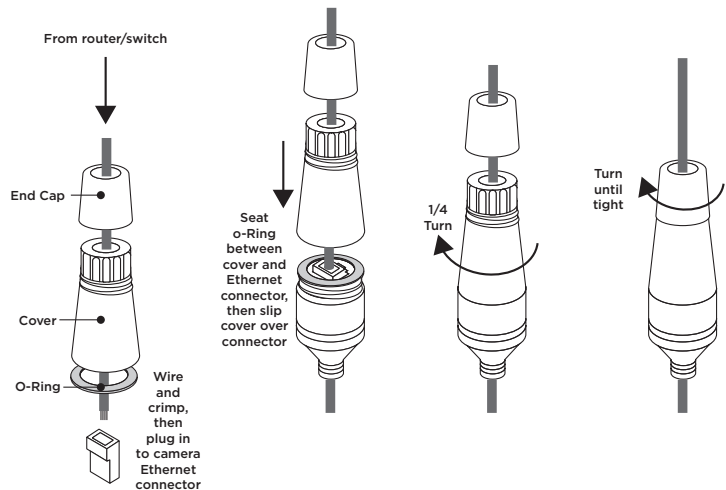
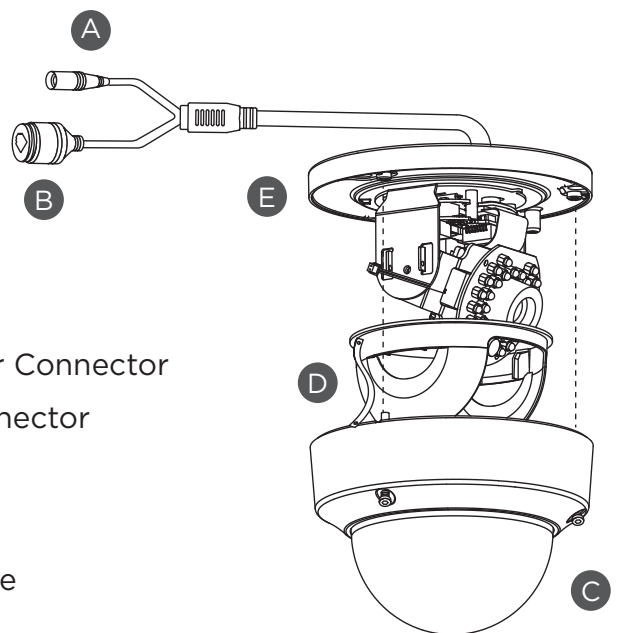


Figure 2: Installing the Waterproof Ethernet Cap



- A** 12 VDC Power Connector
- B** Ethernet Connector
- C** Cover
- D** Safety Strap
- E** Mounting Base

Figure 3: Camera Details

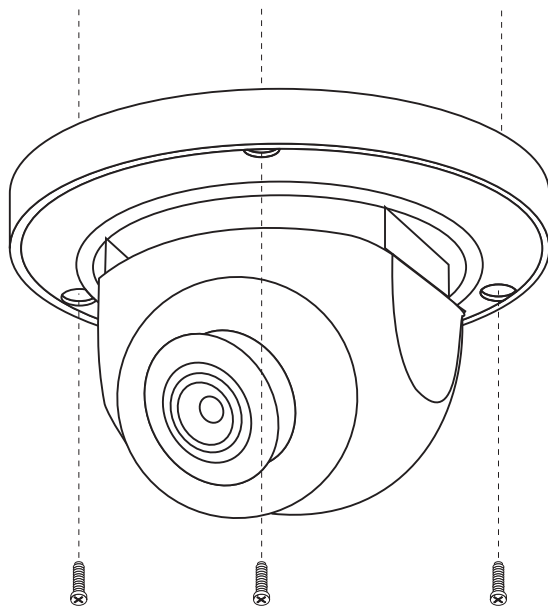


Figure 4: Standard Mounting

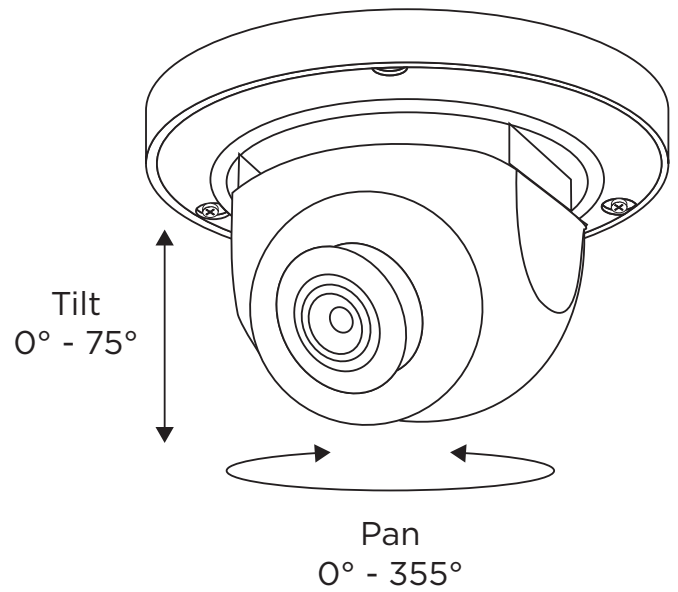


Figure 5: Adjusting the Camera

2 MOUNT THE CAMERA

Refer to Figure 4 during mounting.

1. Use a the included L-key to remove the camera's cover.
2. Secure the camera to a wall or ceiling with the included screws.
3. Use the camera's 3-axis gimbal to adjust the pan and tilt angle as needed.
4. Reattach the cover.

Adjust the Camera

Refer to Figure 5 when adjusting the camera.

1. If necessary, use a the included L-key to remove the camera's cover.
2. Use the camera's 3-axis gimbal to adjust the pan and tilt angle as needed.
3. Reattach the cover.

3 ACTIVATE THE CAMERA

After you've connected the camera to the network, activate it in Dealer Admin.

1. Log in to Dealer Admin.
2. Find the customer and select the relevant account number. Select **Edit**.
3. In **Video**, enable **SecureCom Cameras & NVR**, then press **Save**.
4. On the **System Information** page, press the Add Camera button and enter the camera's serial number. Press **Next**.
5. Enter a name for the camera.
6. Select the camera's time zone.
7. If the camera image needs to be inverted due to mounting position, toggle **Flip Image**.
8. To configure clip recording options, select **Clips**.
 - a. If you don't want this camera to record video clips any time it detects motion, choose **Never Record Motion**.
 - b. If you want this camera to record video clips any time it detects motion, choose **Always Record on Motion**.
 - c. If you want the camera to record motion-triggered clips only when the system is armed, choose **Record Motion When Armed**.
 - d. To record video clips continuously during the first minute after the system triggers an alarm, select **Record on Alarm**.
9. Press **Save**.

ADDITIONAL INFORMATION

Enable Email Clips

If the user would like to be emailed video clips, enable **Email Video Clips** in Dealer Admin. When this feature is enabled, video clips are emailed to the app user.

1. Find the customer and select their name.
2. In **App Users**, find the user's row, select the More icon, then select **Edit**.
3. Select **Email Video Clips**, then press **Save**.

V-4052D INDOOR/ OUTDOOR HD VIDEO CAMERA



Specifications

Sensor and Lens

Image Sensor 2 MP, 1/2.8" CMOS

Network

LAN 802.3 compliant 10/100 LAN

IP Protocol IPv4

Hardware

Power Consumption

12 VDC Max 6.5 W

PoE (802.3af) Max 6.0 W

Weight 1.30 lbs (0.61 kg)

Dimensions 4.37" x 3.24" (11.1 cm x 8.24 cm)

Housing Material Impact Resistant Aluminum

Environmental

Operating Temperature -22 °F to 140 °F (-30 °C to 60 °C)

Operating Humidity Less than 95% RH, non-condensing

Ordering Information

V-4052D 2 MP Indoor/Outdoor HD Video Camera

Accessories

371-500B-W 12 VDC Power Supply

Compatibility

Any DMP system with an active Virtual Keypad™ account

SecureCom
video

LT-2176 20224

© 2020

INTRUSION • FIRE • ACCESS • NETWORKS

2500 North Partnership Boulevard

Springfield, Missouri 65803-8877

800.641.4282 | DMP.com