

V-5052D INDOOR/OUTDOOR HD VIDEO CAMERA

Installation Guide

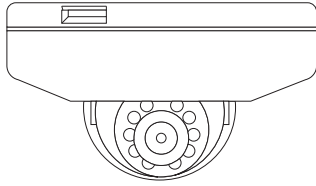


Figure 1: V-5052D Camera

DESCRIPTION

The V-5052D is a 2 Megapixel indoor/outdoor video camera that allows users to view live and recorded HD video clips in Virtual Keypad™.

To activate the camera, you need an active Dealer Admin account at dealer.securecomwireless.com.

Compatibility

- Any active Virtual Keypad account with **SecureCom Cameras & NVRs** enabled

What is Included?

- One V-5052D Camera with Mounting Plate
- Mounting Template
- Hardware Pack with Security Torx L-key

SecureCom
video

1 WIRE THE CAMERA

Before connecting the Ethernet cable, install the waterproof Ethernet cap if desired. Refer to Figure 2.

Standard Power Connection

Connect a 12 VDC power supply (not included) to the camera power connector. Connect a network cable to the camera Ethernet connector. For compatible power supplies, refer to "Accessories".

PoE Connection

Connect a network cable to the camera Ethernet connector. Connect the cable to a PoE switch or injector.

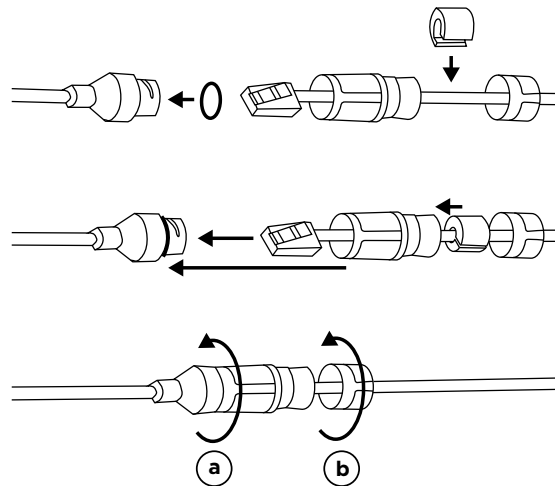


Figure 2: Installing the Waterproof Ethernet Cap

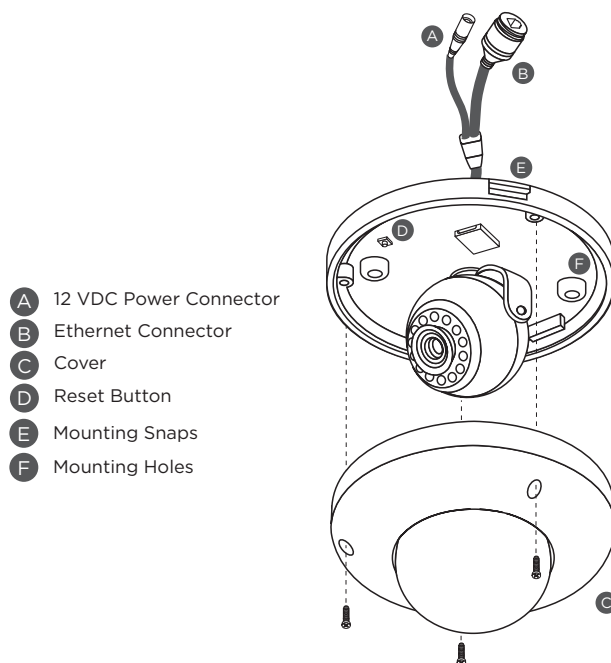


Figure 3: Camera Details

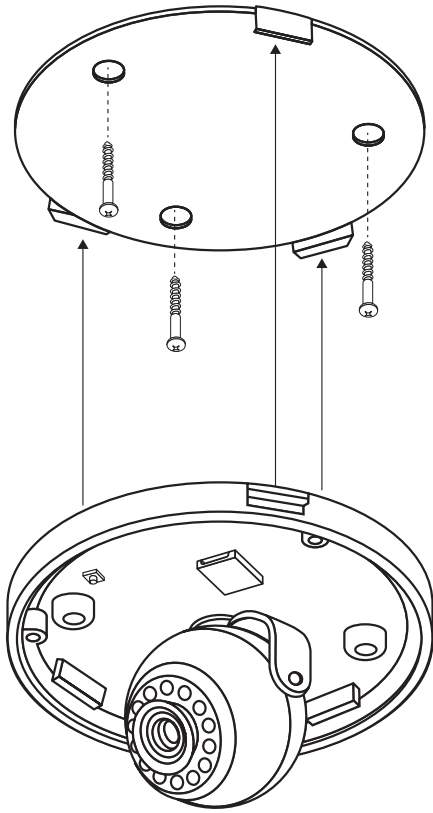


Figure 4: Standard Mounting

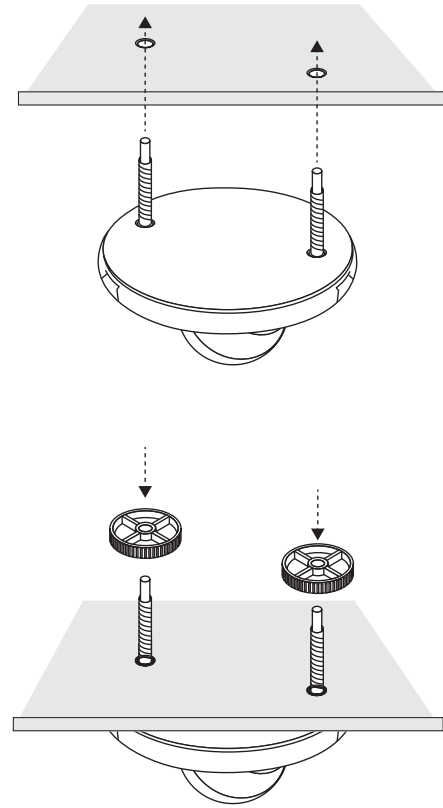


Figure 5: Heavy Duty Mounting

2 MOUNT THE CAMERA

The camera design offers two options for mounting: standard mount using the included mounting base or heavy duty mount using the included anchoring hardware.

Standard Mount

Refer to Figure 4 during standard mounting. Use the included screws and wall anchors to secure the mounting base to a wall or ceiling, then snap the camera onto the mounting base.

Heavy Duty Mount

Refer to Figure 5 during heavy duty mounting. Drill holes in a wall or ceiling for mounting. Thread the included mounting bolts into the bottom of the camera base. Insert the bolts through the mounting surface. Thread the anchoring discs onto the bolts and tighten to the surface.

Adjust the Camera

Refer to Figure 6 when adjusting the camera.

1. Use the included L-key to remove the camera's cover.
2. Use the camera's 3-axis gimbal to adjust the pan and tilt angle as needed.
3. Reattach the cover.

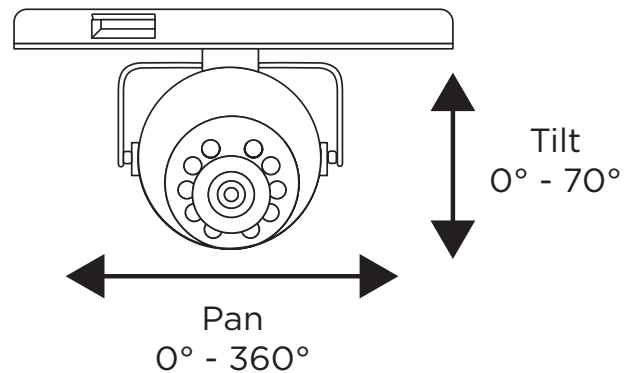



Figure 6: Adjusting the Camera

3 ACTIVATE THE CAMERA

After you've connected the camera to the network, activate it in Dealer Admin.

1. Log in to Dealer Admin.
2. Find the customer and select the relevant account number. Select **Edit**.
3. In **Video**, enable **SecureCom Cameras & NVR**, then press **Save**.
4. On the **System Information** page, press the Add Camera button and enter the camera's 12-digit MAC Address. Press **Next**.
5. Enter a name for the camera.
6. Select the camera's time zone.
7. If the camera image needs to be inverted due to mounting position, toggle **Flip Image**.
8. To configure clip recording options, select **Clips**.
 - a. If you don't want this camera to record video clips any time it detects motion, choose **Never Record Motion**.
 - b. If you want this camera to record video clips any time it detects motion, choose **Always Record on Motion**.
 - c. If you want the camera to record motion-triggered clips only when the system is armed, choose **Record Motion When Armed**.
 - d. To record video clips continuously during the first minute after the system triggers an alarm, select **Record on Alarm**.
9. Press **Save**.

4 CONNECT A CAMERA TO THE NVR (Optional)

 **Note:** When managing 5000 Series cameras with both the V-4408D NVR and Dealer Admin, cameras must be connected to the NVR through a switch.


Default Camera Username and Password

The default username is **scwuser**. The password depends on the camera firmware version:

- For V-5052D cameras with firmware Version D3.2.1_20200818_DMP and higher, the default password is **scw** plus the last six *alphanumeric* characters in the camera's MAC address. As an example, if the MAC address is **1A:2B:3C:4D:5E:6F**, the default password is **scw4D5E6F**.
- For V-5052D cameras with lower than D3.2.1_20200818_DMP firmware, the default password is **scw12345user**.

Set Up a Static IP

When connecting the camera directly to the V-4408D NVR, you'll need to configure the camera with a static IP address before connecting the camera to an NVR.

 **Note:** Leave the camera disconnected from the NVR until you've finished configuring the static IP.

1. On the NVR monitor, right-click in the window and select **Menu**. Enter the username and password that you used during activation.
2. Select **Camera** to open the **Camera Management** window. Find the NVR camera port that you want to connect the camera to and record its IP address.

Note: This IP address may be in a different address range than other IP addresses used on the network.
3. Connect the camera to the local network.
4. Using the camera's MAC address, determine the IP that the camera is currently using.
5. Open a web browser and enter the camera's IP address.
6. Enter the camera's default username and password.
7. Go to **Network > Network Settings**.
8. In **Network Type**, select **Static**.
9. In **IP setup**, enter the IP address the NVR assigned to the port that you want to use.
10. Change the gateway address to the first address on the NVR's subnet: **192.168.254.1**.
11. Press **Apply**. Disconnect the camera from the network, then connect it to the NVR port that you want to use.

Add the Camera to the NVR

1. On the NVR monitor, right-click in the window and select **Menu**.
2. Select **Camera** to open the **Camera Management** window.
3. Select **Edit** to open the **Edit IP Camera** window.
4. Set the **Adding Method** to **Manual**.
5. Set the camera configuration specifics:
 - **Protocol: ONVIF**
 - **Management Port: 80**
6. Enter the username and password:
 - Username: **scwuser**
 - Password: **scw12345user** or **scw** + [last 6 of MAC uppercase]
7. Press **OK**. The NVR attempts to connect to the camera.

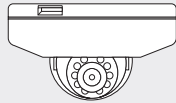
ADDITIONAL INFORMATION

Enable Email Clips

If the user would like to be emailed video clips, enable **Email Video Clips** in Dealer Admin. When this feature is enabled, video clips are emailed to the app user.

1. Find the customer and select their name.
2. In **App Users**, find the user's row, select the More icon, then select **Edit**.
3. Select **Email Video Clips**, then press **Save**.

V-5052D INDOOR/ OUTDOOR HD VIDEO CAMERA



Specifications

Sensor and Lens

Image Sensor 2 MP, 1/2.7" CMOS

Network

LAN 802.3 compliant 10/100 LAN

IP Protocol IPv4

Hardware

Power Consumption 12 VDC Max 5.2 W

PoE (802.3af) Max 7.1 W

Weight 1.5 lbs (0.68 kg)

Dimensions 4.9" x 2.9" (12.5 cm x 7.4 cm)

Housing Material Aluminum

Environmental

Operating Temperature -4 °F to 122 °F (-20 °C to 50 °C)

Operating Humidity Less than 90% RH, non-condensing

Ordering Information

V-5052D 2 MP Indoor/Outdoor HD Video Camera

Accessories

371-500B-W 12 VDC Power Supply

Compatibility

Any DMP system with an active Virtual Keypad™ account

SecureCom
video

LT-2159 21161

© 2021

INTRUSION • FIRE • ACCESS • NETWORKS

2500 North Partnership Boulevard

Springfield, Missouri 65803-8877

800.641.4282 | DMP.com