

716T TERMINAL STRIP

Installation Sheet

DESCRIPTION

The 716T Terminal Strip plugs into the 716 Output Expansion Module to provide terminal block connection in place of the wiring harness.

COMPATIBILITY

- 716 Output Expansion Module

WHAT'S INCLUDED

- One 716T
- Hardware pack

INSTALLATION

Before installation, remove the 716 PCB from its housing.

Mount the Tray

Refer to Figure 2 in the following steps.

1. Insert the screws into the three holes in the tray and screw into the standoffs.
2. Align the standoffs in the panel enclosure and gently snap the standoffs into the three-hole formation in the enclosure.
3. Attach the last standoff to the upper center of the tray.

Install the 716

Carefully slide the 716 into the tray's grooves. See Figure 3.

Install the 716T

Refer to Figure 4 in the following steps.

1. Carefully snap the 716T into the standoff and the 716's main header.
2. Refer to the [716 Output Expansion Module Installation Guide LT-0183](#) for wiring, addressing, and programming the 716.

SPECIFICATIONS

Dimensions 2.50 W x 1.90 H in.
 6.35 W x 4.83 H cm.

ORDERING INFORMATION

716T Terminal Strip

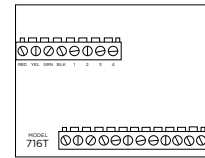


Figure 1: 716T PCB

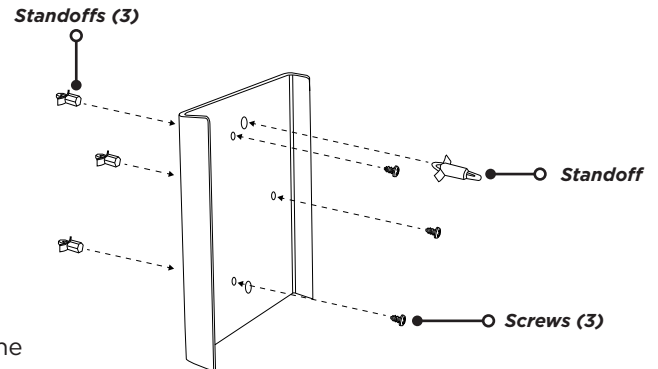


Figure 2: Mount the Tray

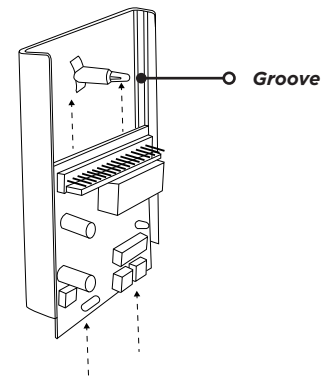


Figure 3: Install the 716

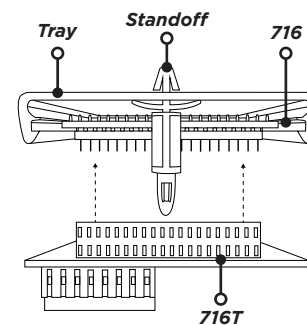


Figure 4: Install the 716T