

1128 WIRELESS GLASSBREAK DETECTOR

Installation Guide

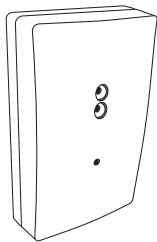


Figure 1: 1128 Wireless Glassbreak Detector

DESCRIPTION

The 1128 Wireless Glassbreak Detector is a fully-supervised, low current shock and glassbreak sensor that provides detection coverage up to 20 ft from framed glass mounted in an outside wall.

You can mount the 1128 on the ceiling or on an opposing wall for maximum flexibility and coverage. The 1128 operates using the supplied 3 V lithium battery.

Compatibility

All DMP 1100 Series Wireless Receivers. Glassbreak Walk Test is available on 1128 Version 2.0.0.1 and higher and with XT/XR Series Version 191 and higher. See last page for compatibility details.

What is Included?

- One 1128 Wireless Glassbreak Detector
- One 3 V lithium CR123A battery
- Hardware Pack

1 PROGRAM THE PANEL

When programming the 1128 in the panel, refer to the panel programming guide as needed.

1. At a keypad, enter **6653** (PROG) to access the **PROGRAMMER** menu.
2. Press **CMD** until **ZONE INFORMATION** displays and press a top row select key or area.
3. Enter the wireless **ZONE NO** and press **CMD**.
4. Enter the **ZONE NAME** and press **CMD**.
5. Select **NT** (night) the **ZONE TYPE**.
6. Select the **AREA NO** and press **CMD**.
7. At the **NEXT ZN?** prompt, select **NO** and press **CMD** until **WIRELESS?** displays.
8. Select **YES** when **WIRELESS?** displays and press **CMD**.
9. Enter the eight-digit **SERIAL#** and press **CMD**.
10. Enter the **SUPRVSN TIME** and press **CMD**.
11. At the **NEXT ZN?** prompt, select **YES** if you are finished programming the zone. Select **NO** if you would like to access additional programming options.

2 INSTALL THE BATTERY

Keep in mind, when setting up a wireless system, program zones and connect the receiver before installing the included CR123A battery in the transmitter.

1. Remove the holding screw at the lower end of the 1128 case and gently lift off the cover. See Figure 2.
2. Observing polarity, place the battery in the holder and press into place. See Figure 3 for the battery location.

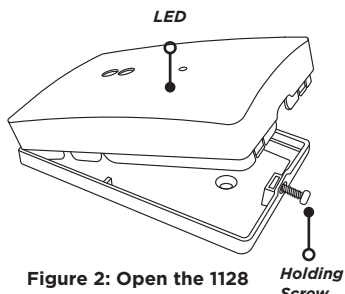


Figure 2: Open the 1128

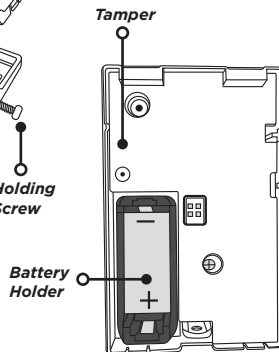


Figure 3: 1128 Battery Location



3 SELECT A LOCATION

The 1128's omni-directional detection coverage is measured from the 1128 to the point on the glass farthest from the 1128. Refer to the table below to determine the best location to place the 1128 based on window type, glass thickness, window to wall range, and wall type.



Note: The sensor can be mounted as close as 3.3' (1 m) from the glass and the minimum glass size is 1' x 2' (0.3 m x 0.6 m).

Window Type	Glass Thickness	Maximum Range	Wall Type
Plate	3/32" - 1/4" (2.4mm - 6.4mm)	20' (6m)	Opposite, adjoining, ceiling
Tempered	1/8" - 1/4" (3.2mm - 6.4mm)	20' (6m)	Opposite, adjoining, ceiling
Laminated	1/8" - 1/4" (3.2mm - 6.4mm)	20' (6m)	Opposite, adjoining, ceiling
Wired	1/4" (6.4mm)	20' (6m)	Opposite, adjoining, ceiling
Armor-coated	N/A	12' (3.65m)	Opposite, adjoining, ceiling

Optimize Detection

To optimize detection, install the 1128 in the following areas:

- Large rooms with moderate noise
- In the direct line of sight of all windows that are to be protected
- On the opposite wall of the window that it's protecting (see Figure 4 for detection range)

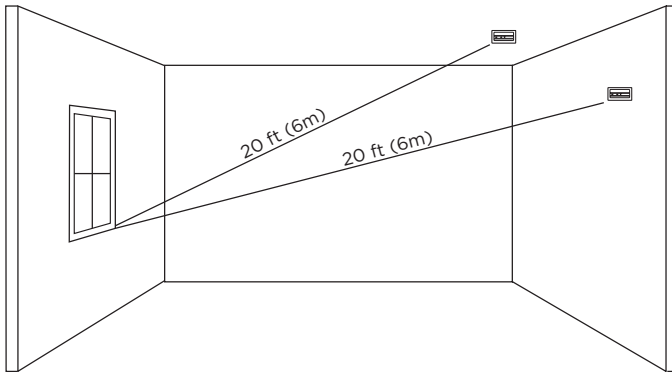


Figure 4: 1128 Detection Range

Avoid False Alarms

To avoid false alarms, do not install the 1128 in the following areas:

- Rooms with lined, insulated, or dampening drapes
- Rooms with closed, wooden shutters on the inside
- Room corners
- Where white noise (air compressor) is present
- Rooms smaller than 10'x10'
- Rooms with multiple noise sources like televisions, sinks, speakers, etc.
- Excessively humid rooms



Note: Avoid programming the 1128 as a day or supervisory zone to help avoid false alarms.

Check the Location Using the Survey LED

1. Hold the 1128 in the exact desired location.
2. Press the tamper switch to send data to the receiver and determine if communication is confirmed or faulty. See Figures 2 and 3 for tamper switch and LED locations.



Confirmed: If communication is confirmed, the survey LED turns on when data is sent to the receiver and off when acknowledgement is received. Repeat this test to confirm five separate consecutive LED blinks. Any indication otherwise means proper communication has not been established.



Faulty: If communication is faulty, the LED remains on for several seconds or flashes multiple times in quick succession. Relocate the 1128 or receiver until the LED confirms clear communication. Proper communication between the 1128 and receiver is verified when for each press or release of the tamper switch, the LED blinks immediately on and immediately off.

4 MOUNT THE 1128

1. With the 1128 already open, place the 1128 base on the wall in the desired location.
2. Use the provided hardware pack to mount the base to the wall. See Figure 5 for mounting hole locations.
3. Reinstall the 1128 cover back on to the base and tighten the holding screw.

5 TEST THE 1128

Handheld Glassbreak Test

To test the 1128, use a hand-held tester like the FG-701 to imitate glass breaking. For more information, refer to the glassbreak tester manual.

1. Set the tester to flex mode.
2. Place the FG-701 near the protected glass and press the button to activate the simulator. It will not announce the sound of shattering glass until a low-frequency shock is also generated.
3. To generate the shock, slam a framed door to generate the appropriate low-frequency shock. The shock will also activate the FG-701 simulator.



Note: The 1128 has two onboard microphones. Both the high frequency and low frequency microphones must be activated to send an alarm to the control panel. If only the low frequency microphone activates, the LED on the 1128 will flash green. When both activate, the LED will flash red and the 1128 will transmit an alarm to the control panel.

Glassbreak Walk Test (v2.0.0.1 and higher)

When the 1128 is set into testing mode from the panel, it will trip using the tester only. There is no need to generate shock to trip the detector. XT and XR Series firmware Version 191 is required to perform the glassbreak walk test.

1. Reset the panel.
2. Type **8144** (WALK) and select PIR. All 1128s on the system will begin flashing a green LED every 3 seconds to indicate that they are in testing mode. It can take up to 3 minutes for all 1128s to enter testing mode.



Note: The PIR option will enable testing of all supported wireless PIRs and 1128s on the system.

3. Set the tester to manual mode.
4. Place the FG-701 near the protected glass and press the button to activate the simulator. If the 1128 is in range, it will flash the LED red for 3 seconds to indicate it detected the crash.
5. The 1128 will remain in testing mode for 30 minutes or until the panel is reset.

Wireless Walk Test

Perform a Wireless Walk Test to confirm that the 1128 is communicating clearly with the panel.

1. At the keypad, enter **8144** (WALK) and select **WLS**.
2. If the 1128 fails to check in at the keypad, relocate the 1128 or the receiver.

ADDITIONAL INFORMATION

Replace the Battery

1. Remove the holding screw and open the 1128 housing.
2. Remove the old battery from the holder.
3. Observe polarity and insert the new battery in the holder (3 V lithium CR123A battery).
4. Replace the cover on the 1128 and secure the housing with the holding screw.

MOUNTING HOLES

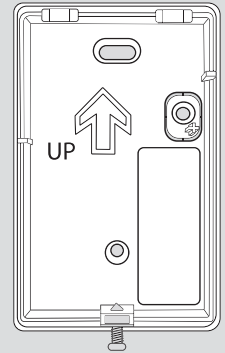


Figure 5: Mounting Holes

FCC INFORMATION

This device complies with Part 15 of the FCC Rules. Operation is subject to the following two conditions:

1. This device may not cause harmful interference, and
2. This device must accept any interference received, including interference that may cause undesired operation.

The antenna used for this transmitter must be installed to provide a separation distance of at least 20 cm (7.874 in.) from all persons. It must not be located or operated in conjunction with any other antenna or transmitter.

Changes or modifications made by the user and not expressly approved by the party responsible for compliance could void the user's authority to operate the equipment.



Note: This equipment has been tested and found to comply with the limits for a Class B digital device, pursuant to part 15 of the FCC Rules. These limits are designed to provide reasonable protection against harmful interference in a residential installation. This equipment generates, uses and can radiate radio frequency energy and, if not installed and used in accordance with the instructions, may cause harmful interference to radio communications. However, there is no guarantee that interference will not occur in a particular installation. If this equipment does cause harmful interference to radio or television reception, which can be determined by turning the equipment off and on, the user is encouraged to try to correct the interference by one or more of the following measures:

- Reorient or relocate the receiving antenna.
- Increase the separation between the equipment and receiver.
- Connect the equipment into an outlet on a circuit different from that to which the receiver is connected.
- Consult the dealer or an experienced radio/TV technician for help.

INDUSTRY CANADA INFORMATION

This device complies with Industry Canada Licence-exempt RSS standard(s). Operation is subject to the following two conditions:

1. This device may not cause interference, and
2. this device must accept any interference, including interference that may cause undesired operation of the device.

Le présent appareil est conforme aux CNR d'Industrie Canada applicables aux appareils radio exempts de licence. L'exploitation est autorisée aux deux conditions suivantes:

1. *l'appareil ne doit pas produire de brouillage, et*
2. *l'utilisateur de l'appareil doit accepter tout brouillage radioélectrique subi, même si le brouillage est susceptible d'en compromettre le fonctionnement.*

This system has been evaluated for RF Exposure per RSS-102 and is in compliance with the limits specified by Health Canada Safety Code 6. The system must be installed at a minimum separation distance from the antenna to a general bystander of 7.87 inches (20 cm) to maintain compliance with the General Population limits.

L'exposition aux radiofréquences de ce système a été évaluée selon la norme RSS-102 et est jugée conforme aux limites établies par le Code de sécurité 6 de Santé Canada. Le système doit être installé à une distance minimale de 7.87 pouces (20 cm) séparant l'antenne d'une personne présente en conformité avec les limites permises d'exposition du grand public.

1128 WIRELESS GLASSBREAK DETECTOR



Specifications

Battery	
Life Expectancy	3 Years (normal operation)
Type	3 V lithium CR123A
Frequency Range	905-924 MHz
Transmit Condition	Alarm, Low Battery, Tamper
Detection Method	Omni-directional
Range	20 ft (6 m)
Operating Temperature	-10°C to +55°C
Color	White (passes VWI)
Housing Material	Flame retardant ABS
Dimensions	3.3"L x 2.1"W x 0.9"D
Weight	4.2 oz.

Compatibility

- All DMP 1100 Series Wireless receivers and transmitters v106 and higher



Note: If the 3rd digit of the transmitter's serial number is greater than 0, it will be v106 or higher. If the 3rd digit is equal to zero, that transmitter must be removed or replaced with a newer transmitter for the 1128 to function properly.

- All DMP Burglary Panels with built-in 1100 Series Wireless
- Test Mode requires XT/XR Series Version 191 firmware

Certifications

FCC Part 15 Registration ID CCK1128

IC Registration ID 5251A-1128

Accessories

FG-701 Glassbreak Simulator



© 2020 Digital Monitoring Products, Inc.
LT-1825 20164

INTRUSION • FIRE • ACCESS • NETWORKS

2500 North Partnership Boulevard
Springfield, Missouri 65803-8877

866.266.2826 | DMP.com