

XTLtouch™ Series Installation Guide

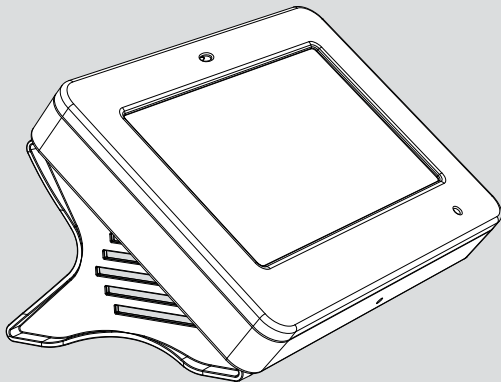


TABLE OF CONTENTS

About the XTLtouch.....	1	Accessories.....	12
Install the XTLtouch.....	2	Transformer.....	12
Wall Mount (XTLtouch).....	2	Batteries.....	12
Desk Stand (XTLtouchUSB).....	2	Certifications.....	13
Wall Mount	3	FCC	14
Mount the Backplate	3	Industry Canada.....	16
Wire for Power	5		
Desk Stand.....	8		
Install the Desk Stand Legs	8		
Power the XTLtouch.....	9		
Additional Information	10		
Secondary Power Supply	10		
Replace the Battery	10		

ABOUT THE XTLtouch™

The XTLtouch offers flexible features and functionality. It contains an XTLplus control panel with an integrated graphic touchscreen keypad, providing one device to control and operate a system. The XTLtouch has an LTE cellular communicator pre-installed for cellular use. The XTLtouch can be mounted to a wall or can be used for tabletop use. The XTLtouch provides the following features:

- ▶ 5" graphic touchscreen screen
- ▶ Three-part housing (cover, base, and backplate)
- ▶ On-board proximity reader for DMP, HID, and Farpointe credentials
- ▶ On-board Wi-Fi
- ▶ Z-Wave Plus™ support
- ▶ 800 mAh battery backup
- ▶ Two-way communication using 900 MHz frequency hopping spread-spectrum technology
- ▶ 1100 Series Wireless support

INSTALL THE XTLtouch

Wall Mount (XTLtouch)

For wall mount installations, use the included backplate to mount the XTLtouch to a wall.



Note: Install the XTLtouch near a wall outlet for the plug-in power supply. The power supply should be located within 100 feet of the XTLtouch using 22 AWG wire.

Desk Stand (XTLtouchUSB)

For desk stand installations, use the included legs for tabletop use.

WALL MOUNT

1 Mount the Backplate

1. Press the tab and remove the backplate from the XTLtouch. See Figure 3.

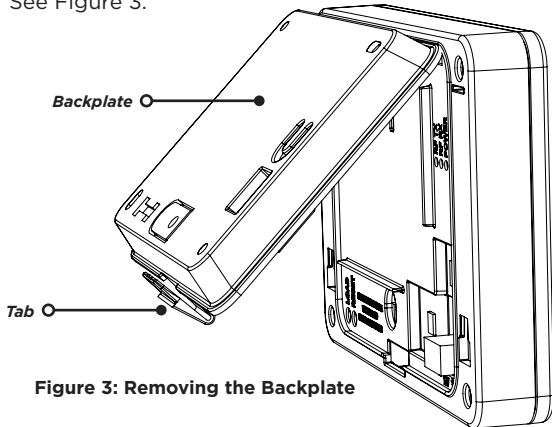


Figure 3: Removing the Backplate

2. Use the level and the included #6 screws to mount the backplate to the wall. See Figure 4 for mounting hole locations.

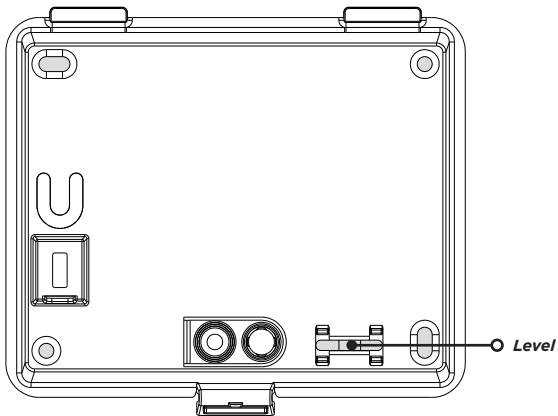


Figure 4: Mounting Hole Locations

2 Wire for Power

See Figure 5 for wire routing instructions before wiring the XTLtouch for power.

1. Connect the XTLtouch +DC terminal to the positive terminal on the power supply.
2. Connect the XTLtouch -DC terminal to the negative terminal on the power supply.
3. Plug the power supply into a 120 VAC 60 Hz dedicated outlet that's not controlled by a switch.
4. Replace the XTLtouch on the mounted backplate.
5. Insert the included set screw to secure the XTLtouch to the mounted backplate. See Figure 6.

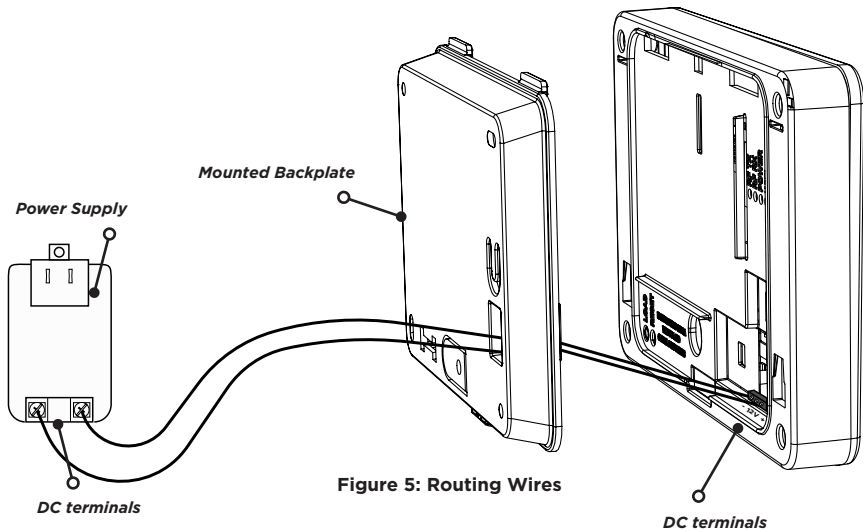
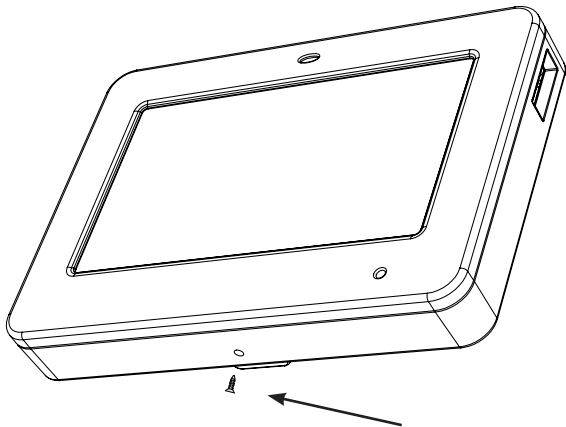


Figure 5: Routing Wires



**Figure 6: Securing the XTLtouch
with the Set Screw**

DESK STAND

1 Install the Desk Stand Legs

1. Insert one leg into the holes in the back of the XTLtouch.
2. Slide the leg upwards until the leg firmly snaps into place. Repeat steps 1 and 2 to install the other leg. See Figure 7.

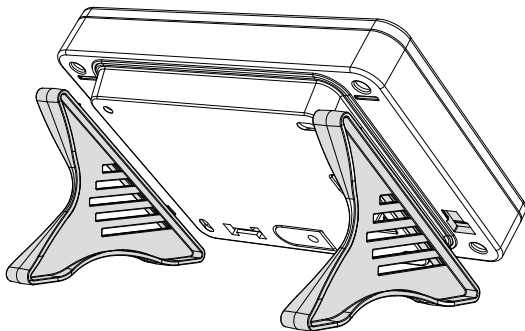


Figure 7: Connecting the Desk Stand Legs

2 Power the XTLtouch

1. Plug the micro USB end of the cable into the back of the keypad.
2. If desired, insert the cable into the strain relief to secure the XTLtouch to its power source. See Figure 8.
3. Plug the other end of the cable into the transformer.
4. Plug the power supply into a 120 VAC 60 Hz dedicated outlet not controlled by a switch. Use the wall strap to secure the transformer to the wall.

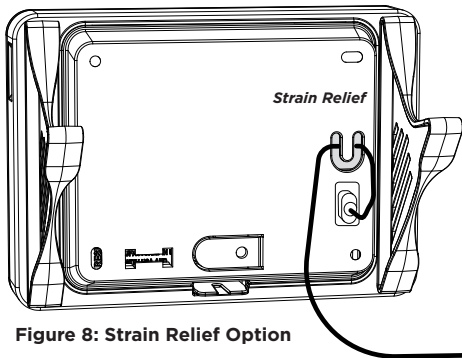


Figure 8: Strain Relief Option

ADDITIONAL INFORMATION

SECONDARY POWER SUPPLY

The XTLtouch's 800 mAh rechargeable standby battery is used to provide four hours of battery power when DC power is not available. The battery is intended for back power only and should not operate the panel on a daily basis.

If the battery is low or not plugged into the battery connector, a low battery condition is indicated by the panel. If a 24 hour standby battery is needed, connect a 4800 mAh battery.

Replace the Battery

1. Remove the backplate from the XTLtouch.
2. Unplug the battery and remove it from the base.
3. Place the new battery in the same location and secure it with the included adhesive. See Figure 9.
4. Plug in the new battery.
5. Replace the backplate.

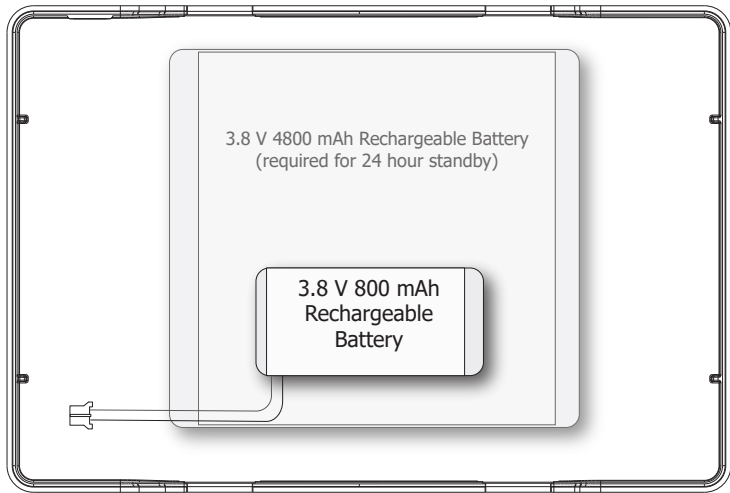


Figure 9: Replacing the Battery

ACCESSORIES

Transformer

372-500-W 12 VDC Nominal Power Supply (wall mount)

371-1000U-W Replacement 1 Amp USB Transformer and Cable (desk stand)

Batteries

XTLTOUCH4800/8 RPLCMNT 4800MAH BATT XTLTOUCH

XTLTOUCH800/8 RPLCMNT 800MAH BATT XTLTOUCH

CERTIFICATIONS

FCC Wireless Receiver and Z-Wave Approvals

FCC ID: CCKPC0199

IC: 5251A-PC0199

FCC Wi-Fi Network Approvals

FCC ID: VW4-ATWINC1500

IC: 20266-WINC1500PB

FCC LTE Cellular Communicators

LTE FCC Part 15 ID: R17ME910C1NV

Intertek (ETL) Listed

ANSI/UL 985

ANSI/UL 1023

ANSI/UL 1610

ANSI/UL 1635

Household Fire

Household Burglar

Central Station Burglar


Digital Burglar

FCC

This device complies with Part 15 of the FCC Rules. Operation is subject to the following two conditions:

1. This device may not cause harmful interference, and
2. This device must accept any interference received, including interference that may cause undesired operation.

Changes or modifications made by the user and not expressly approved by the party responsible for compliance could void the user's authority to operate the equipment.

 **Note:** This equipment has been tested and found to comply with the limits for a Class B digital device, pursuant to part 15 of the FCC Rules. These limits are designed to provide reasonable protection against harmful interference in a residential installation. This equipment generates, uses and can radiate radio frequency energy and, if not installed and used in accordance with the instructions, may cause harmful interference to radio communications. However, there is no guarantee that interference will not occur in a particular installation. If this equipment does cause harmful interference to radio or television reception, which can be determined by turning the equipment off and on, the user is encouraged to try to correct the interference by one or more of the following measures:

- Reorient or relocate the receiving antenna.
- Increase the separation between the equipment and receiver.
- Connect the equipment into an outlet on a circuit different from that to which the receiver is connected.
- Consult the dealer or an experienced radio/TV technician for help.



Note: For listed residential fire and burglary applications, wire runs connected to the XTLtouch terminal block must remain in the same room within 98.5 feet (30 meters.)

INDUSTRY CANADA

This device complies with Industry Canada Licence-exempt RSS standard(s). Operation is subject to the following two conditions:

1. This device may not cause interference, and
2. This device must accept any interference, including interference that may cause undesired operation of the device.

Le présent appareil est conforme aux CNR d'Industrie Canada applicables aux appareils radio exempts de licence. L'exploitation est autorisée aux deux conditions suivantes:

1. l'appareil ne doit pas produire de brouillage, et
2. l'utilisateur de l'appareil doit accepter tout brouillage radioélectrique subi, même si le brouillage est susceptible d'en compromettre le fonctionnement.



LT-1788 18373 © 2018 Digital Monitoring Products, Inc.