

CELLCOM SERIES UNIVERSAL COMMUNICATORS

Compliance Listing Guide

BEFORE YOU BEGIN

This guide provides compliance information for the CellCom Series Universal Alarm Communicator. The CellCom-LTE Series Universal Alarm Communicator provides a fully supervised alarm communication path for any burglary, commercial fire, or residential fire control panel. DMP recommends that you read through the contents of this guide before starting the installation process. It describes the functions along with available installation options. Information contained in this guide allows you to learn the operation, functionality, and programming features of the communicator to meet specific applications. This guide covers all the requirements for installing the CellComF-LTE Universal Alarm Communicators for Commercial Fire installations. This document applies to the following models:

- CellCom-LTE Cellular Communicator
- CellComF-LTE Cellular Communicator for Commercial Fire

PROGRAMMING REQUIREMENTS

System Programming Option Requirements

Notice to users, installers, authorities that have jurisdiction, and other involved parties: This product incorporates field-programmable software. In order for the product to comply with the requirements of a certificated installation, certain programming features or options must be limited to specific values or not used at all as indicated below.

PROGRAM FEATURE OR OPTION	STANDARD	PERMITTED?	POSSIBLE SETTINGS	SETTINGS PERMITTED
System Reports, RESTORAL	ANSI/UL 864	Y	NO, YES, DISARM	YES, DISARM
Communication, CHECKIN MINUTES	ANSI/UL 864	Y	3-250	3-58
Output Options, COMM FAIL OUT	ANSI/UL 864	Y	0, 1, 2	1, 2

Table 1: Compliance System Programming Options

APPLICATIONS

CID Dialer Connection

Directly connect the tip and ring from the control panel to the communicator. See Figure 1. This connection captures Contact ID messages from any fire panel that are based on the SIA communication standard DC-05-1999.09-DCS. Messages are then formatted into a Serial 3 message and sent to a DMP Model SCS-1R Receiver or SCS-VR Receiver.

Note: CID Dialer Connection cannot be used when using Zone 4 Bell Connection. Do not connect telephone company wires to the communicator. Remove any connected telephone company wires from the control panel.

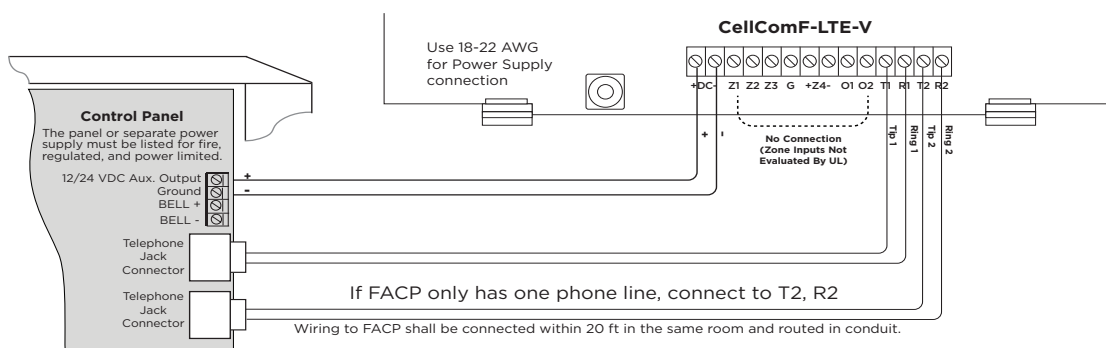


Figure 1: Wiring Diagram for Tip and Ring Connection



COMPLIANCE

CellComF-LTE Commercial Fire Communicator Installation ANSI/UL 864

Fire Protective Signaling Systems using Internet/Intranet/Cell Networks

A Performance-Based Technologies system as defined in UL 864 10th Edition may be configured as CELL Primary with or without a backup path. The system may be configured as follows:

PATH 1 PROGRAMMING	
Comm Type = CELL	Checkin Min = 58
Path Type = Primary	Failtime Min = 60
Test Rpt = No	
Checkin = Yes	

Table 2: Path 1 Cell as Primary without Backup Path

Model 685-R Backbox Installation

For Commercial Fire applications using the CellComF-LTE and the included red plastic Model 685-R backbox, mount the backbox to a wall or other flat surface with the included #6 X 1 in. screws. Mount the communicator to the backbox with the included #6 X 1/2 in. screws. Locate the fire communicator within 20 feet of the control panel and route all wire in conduit. Refer to Figure 2.

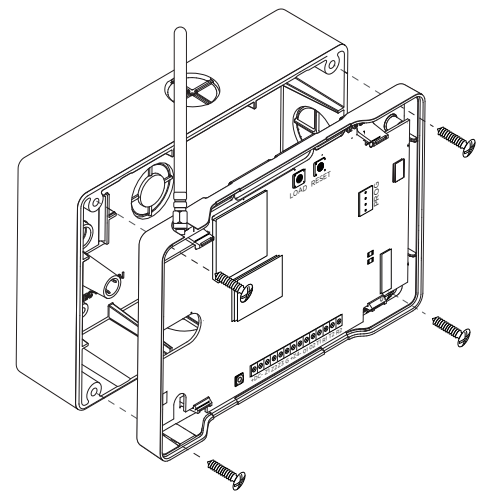


Figure 2: Model 685 Backbox Installation

CellComF-LTE for FACP Communication Fail Output

24 VDC Applications

For 24 VDC applications using the fire communicator, connect a keypad using a Model 330-24 4-wire programming harness with in-line resistor.

Output 1

Output 1 must be programmed as a Communication Failure Output in **OUTPUT OPTIONS**.

Installation Length

Must be installed in conduit from the fire panel to the 685-R conduit box and located within 20 feet.

FACP Zone Input

Program FACP Zone Input to indicate a communication trouble locally.

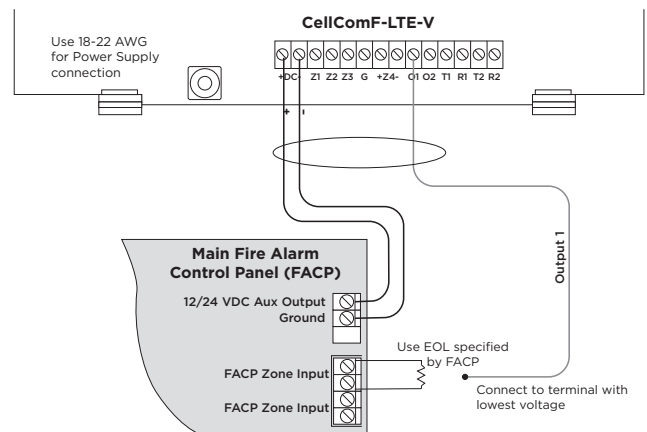


Figure 3: CellCom to FACP Wiring

NEW YORK CITY (FDNY) SPECIFICATIONS

The programming specifications contained in this section must be completed when installing the CellComF-LTE and iCOMSLF for New York City (FDNY) fire alarm communicator installations for IP communication applications. Refer to the FDNY Certificate of Approval #6238 for the complete conditions of approval.

Network and Cellular Communication, Primary and Secondary

When installed as a central station Internet (Network) communicator or slave transmitter, both primary and secondary channels of communication shall be required and shall meet the conditions below. Network communication (iComSLF) shall be used as the primary channel of communication to the Central Station and a Cellular Communicator (CellComF-LTE) shall be used as the secondary channel of communication or in reverse order: Cellular Communicator (CellComF-LTE) as the primary channel and Network connection (iComSLF) as the secondary channel.

ICOMSLF PROGRAMMING	CELLCOMF-LTE PROGRAMMING
Comm Type = NET	Comm Type = CELL
Checkin Min = 5	Checkin Min = 5
Failtime Min = 5	Failtime Min = 5
Test Rpt = Yes	Test Rpt = Yes
Test Freq = 1 Dy	Test Freq = 1 Dy

Table 3: Programming for iComSLF as Primary with CellComF-LTE as Backup

CELLCOMF-LTE PROGRAMMING	ICOMSLF PROGRAMMING
Comm Type = CELL	Comm Type = NET
Checkin Min = 5	Checkin Min = 5
Failtime Min = 5	Failtime Min = 5
Test Rpt = Yes	Test Rpt = Yes
Test Freq = 1 Dy	Test Freq = 1 Dy

Table 4: Programming for CellComF-LTE as Primary and iComSLF as Backup

Wiring

All wiring must be in accordance with NEC, ANSI, and NFPA 70. All network cabling must be installed in accordance with NFPA 70 for communication circuits.

Additional Requirements

Program and install the equipment to comply with NFPA basic fire requirements. Refer to the Universal Fire Alarm Specifications and ANSI/UL 864 Specifications in this document.

Z-Wave

Z-Wave functionality has not been evaluated by UL.

FCC INFORMATION

This device complies with part 15 of the FCC Rules. Operation is subject to the following two conditions:

1. This device may not cause harmful interference.
2. This device must accept any interference received, including interference that may cause undesired operation.

The antenna(s) used for this transmitter must be installed to provide a separation distance of at least 20 cm from all persons.

This equipment has been tested and found to comply with the limits for a Class B digital device, pursuant to part 15 of the FCC Rules. These limits are designed to provide reasonable protection against harmful interference in a residential installation. This equipment generates, uses and can radiate radio frequency energy and, if not installed and used in accordance with the instructions, may cause harmful interference to radio communications. However, there is no guarantee that interference will not occur in a particular installation.

If this equipment does cause harmful interference to radio or television reception, which can be determined by turning the equipment off and on, the user is encouraged to try to correct the interference by one or more of the following measures:

- Reorient or relocate the receiving antenna.
- Increase the separation between the equipment and receiver.
- Connect the equipment into an outlet on a circuit different from that to which the receiver is connected.
- Consult the dealer or an experienced radio/TV technician for help.

Changes or modifications not expressly approved by the party responsible for compliance could void the user's authority to operate the equipment.

If necessary, the installer should consult the dealer or an experienced radio/television technician for additional suggestions. The installer may find the following booklet, prepared by the Federal Communications Commission, helpful:

"How to Identify and Resolve Radio-TV Interference Problems."

This booklet is available from the U.S. Government Printing Office, Washington D.C. 20402

Stock No. 004-000-00345-4

© 2020 Digital Monitoring Products, Inc.

Information furnished by DMP is believed to be accurate and reliable.

This information is subject to change without notice.

CELLCOM SERIES UNIVERSAL ALARM COMMUNICATORS

Specifications

CellCom-LTE-V

Primary Power	Nominal 12 VDC
Current Draw	12 VDC:
Standby	75 mA
Alarm	95 mA (Cell Communication)

CellComF-LTE-V

Primary Power	Nominal 12 VDC or 24 VDC
Current Draw	12 VDC:
Standby	75 mA
Alarm	95 mA (Cell Communication)
Current Draw	24 VDC:
Standby	45 mA
Alarm	85 mA (Cell Communication)

Certifications

Cellular

FCC Part 15: XMR201707BG96
IC: 10224A-201709BG96

CellCom-LTE-V

FCC Part 15: CCKPC0207
IC: 5251A-PC0207

Underwriters Laboratory (UL) Listed

ANSI/UL 1610 Central Station Burglar (Cellular)

ANSI/UL 1023 Household Burglar

ANSI/UL 985 Household Fire Warning (CID Capture)

CellComF-LTE-V

New York City (FDNY COA#6238)

Underwriters Laboratory (UL) Listed

ANSI/UL 864 Commercial Fire Protective Signaling Systems
(CID Capture)



Designed, engineered, and
manufactured in Springfield, MO
using U.S. and global components.

LT-1620 1.02 20214

© 2020

INTRUSION • FIRE • ACCESS • NETWORKS

2500 North Partnership Boulevard
Springfield, Missouri 65803-8877

800.641.4282 | DMP.com