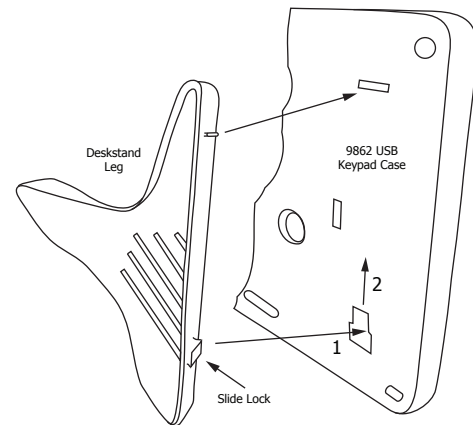


STEP 1

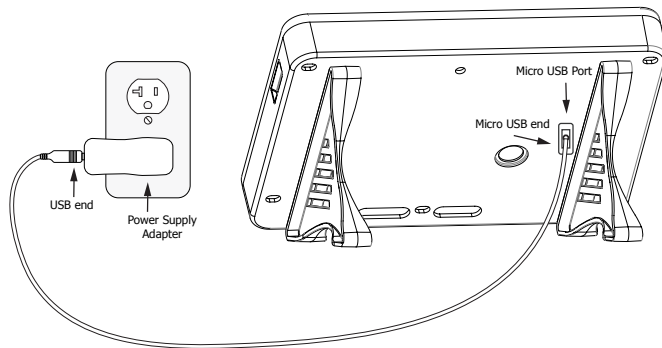
ATTACH THE DESKSTAND

The 9862USB Wireless Graphic Touchscreen Keypad is intended for tabletop use.

1. Attach the keypad deskstand by pressing the slide lock on one of the stand legs into the hole located on the back of the keypad case **1**.
2. Slide the leg upward until the top ridge seats in the rectangular opening.
3. Repeat the process to attach the second side of the stand.



1 Deskstand Attachment



2 Power Supply Connection

STEP 2

CONNECT THE POWER SUPPLY

1. Plug the USB end of the cable into the power supply adapter.
2. Plug the power supply adapter into an outlet.
3. Plug the micro USB end of the power supply cable into the back of the 9862USB keypad **2**.

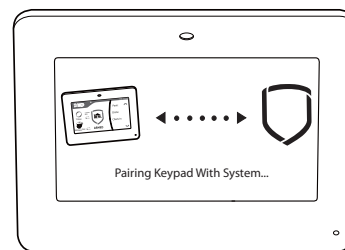
STEP 3

AUTO PAIR THE KEYPAD

A 10 minute auto pairing timer begins immediately when you power the keypad and the panel. The keypad displays Pairing Keypad With System **3.1**. If the panel acquires the keypad during the auto pairing time period, the keypad home screen displays, signaling that pairing is complete **3.2**.

If the panel does not acquire the keypad by the end of the 10 minute pairing timer, the keypad displays Pairing Failed, followed by the Reset screen **3.3**. Press RESET on the panel and tap the Pair button to restart the pairing process.

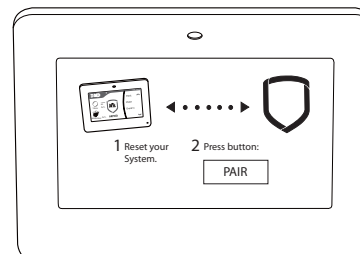
If the keypad loses communication with the panel, the No Communication With System display appears and provides the option to reattempt pairing **3.4**.



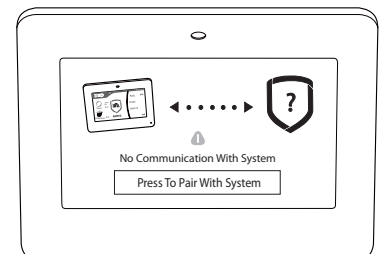
3.1 Auto Pairing in Progress Display



3.2 Auto Pairing Successful Display



3.3 Auto Pairing Reset Display



3.4 Auto Pairing No Communication Display