

685 SERIES CONDUIT BACKBOX

Installation Sheet

DESCRIPTION

The 685 Series Backbox is a mounting option for iComSL, CellCom, and DualCom Series Universal Communicators and XTLplus panels. The 685 Series is constructed of durable white or red plastic. The backbox features knockouts for conduit on the back and three sides.

COMPATIBILITY

- XTLplus
- iComSL
- CellCom
- DualCom

WHAT'S INCLUDED

- One 685 Series Backbox
- Hardware pack

INSTALLATION

1. If necessary, remove conduit knockouts. For knockout locations, refer to Figure 1.
2. Mount the backbox to a wall or other flat surface with the included #6 X 1 in. screws. For mounting hole locations, refer to Figure 2.
3. Mount compatible devices to the backbox with the included #6 X 1/2 in. screws. For more information, refer to Figure 3.

SPECIFICATIONS

Dimensions 6.39" W x 4.73" H x 1.57" D
(16.23 cm W x 12.01 cm H x 3.99 cm D)

Material ABS Plastic

ORDERING INFORMATION

685-W (White)

685-R (Red)

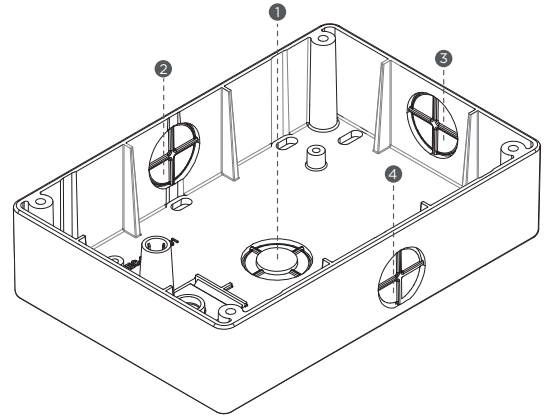


Figure 1: Conduit Knockout Locations

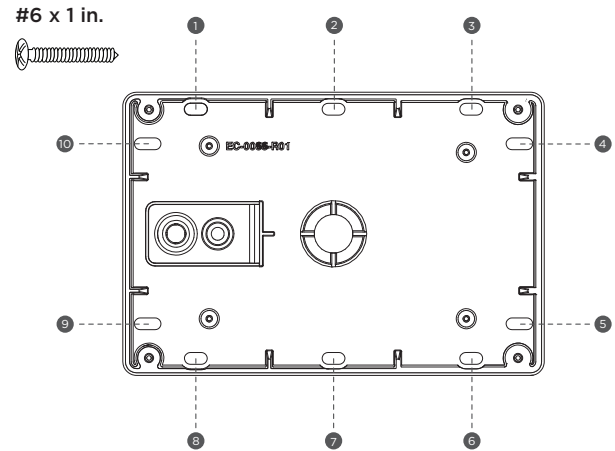


Figure 2: Mounting Hole Locations

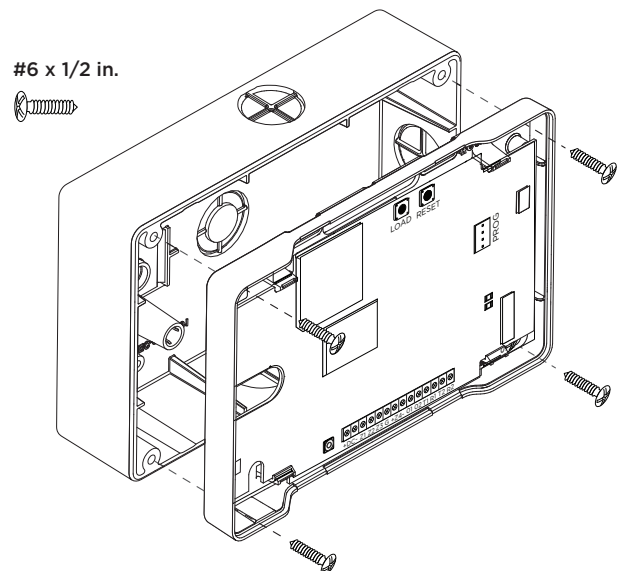


Figure 3: Mounting Devices