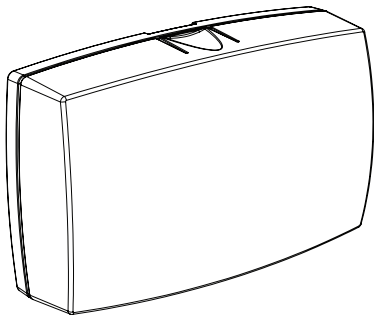


# 780 Keypad Demonstrator Module

INSTALLATION AND PROGRAMMING GUIDE





# TABLE OF CONTENTS

<b>About the 780.....</b>	<b>1</b>
Compatibility.....	1
Included Items .....	1
<b>780 Features .....</b>	<b>2</b>
<b>Install the 780 .....</b>	<b>3</b>
Mount the Demo Module.....	3
Power Up to Demo Module .....	4
Connect the Keypad .....	6
<b>Program Keypads for Demonstrations ....</b>	<b>8</b>
Icon Series Keypad .....	8
Thinline™ Keypad.....	8
Keypad Address.....	8
Keypad Mode .....	8
7800 Keypad.....	9
Keypad Address.....	9
Keypad Mode .....	9

<b>Program Keypads for Fire Panic Demonstrations .....</b>	<b>10</b>
Icon Series Keypad .....	10
Fire Key (F 1) .....	10
Thinline Keypad.....	11
7800 Keypad.....	11
Arm Panic Keys .....	11
Arm Panic Keys .....	11

<b>Program the Graphic Keypad for Z-Wave Demonstrations .....</b>	<b>12</b>
---	-----------

<b>Program an Arming System for the 780.....</b>	<b>13</b>
Icon Series Keypad .....	13
All/Perimeter.....	13
Home/Sleep/Away .....	13
Thinline Keypad.....	14
7800 Keypad.....	14
Programmer .....	14
Arming System .....	14
Programmer .....	14
Arming System .....	14
7800 Keypad.....	15

<b>780 Demonstration .....</b>	<b>16</b>
Keypad Operation.....	16
User Menu Options.....	17
Keypad Shortcut Key Options.....	19
7800 Keypads Carousel Menu Options.....	20
Arm an Area System .....	21
Arm an All/Perim and H S A Systems.....	22
Disarm an Area System.....	23
Disarm an All/Perim and H S A Systems.....	24
Front Door Zone Alarm for an Area System .....	25
Front Door Zone Alarm for an All/Perim and H S A Systems.....	26
Fire Alarm for Icon or Thinline Keypads.....	27
Fire Alarm for 7800 Keypad .....	28
Weather Demonstration for Thinline and 7800 Series Keypads .....	29
Z-Wave Demonstration for 7800 Series Keypads .....	30
<b>Accessories.....</b>	<b>32</b>

# ABOUT THE 780

The DMP 780 Keypad Demonstrator Module is a portable module that connects to any DMP Thinline, Icon Series, or 7800 Series Graphic Touchscreen keypad to demonstrate keypad operation for sales and training presentations.

The module can demonstrate the Area, All/Perimeter, or Home/Sleep/Away systems and can simulate arming and disarming. The 780 Demo also provides access to the following User Menu options: **ALARM SILENCE**, **SENSOR RESET**, **ARMED AREAS**, **ZONE MONITOR**, and **USER CODES**.

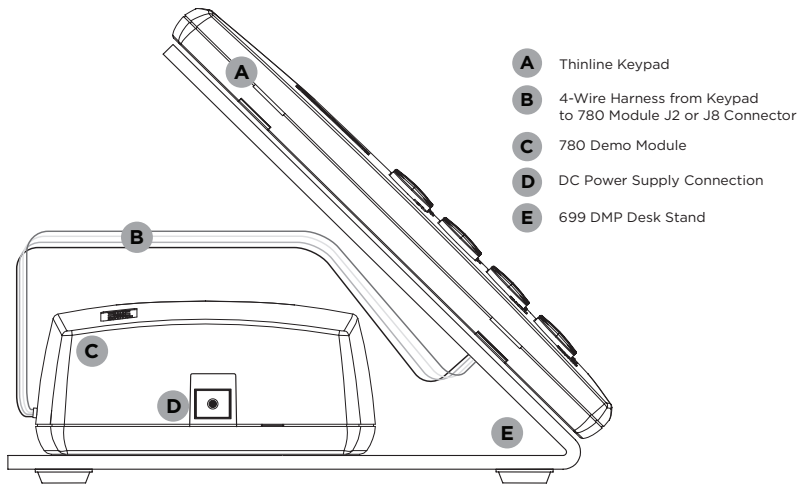
## *Compatibility*

- Thinline keypad
- Icon Series keypad
- 7800 Series Graphic Touchscreen keypad

## *Included Items*

- One 780 Module (base and cover)
- One 9 V Battery
- One DC Power Supply
- Hardware pack

# 780 FEATURES



**Figure 1: Product Features**

# INSTALL THE 780

## 1 *Mount the Demo Module*

The 780 can be permanently mounted to the lower section of any Model 699 DMP Keypad Desk Stand.

Use the included adhesive foam or screws to attach the demo module to the desk stand base.

The mounting location is shown in Figure 1.

## 2 *Power Up to Demo Module*

### **Battery Operation for Thinline or Icon Series**

Use the following steps to install and activate 9 VDC Battery operation.

1. Squeeze the top and bottom of the 780 module case to remove the cover.
2. Install the 9 VDC battery in the battery compartment. Observe polarity when installing the battery. See Figure 2.
3. Install the jumper on the battery header (Battery ON/OFF) to enable battery operation. See Figure 2.

### **DC Power Supply Operation**

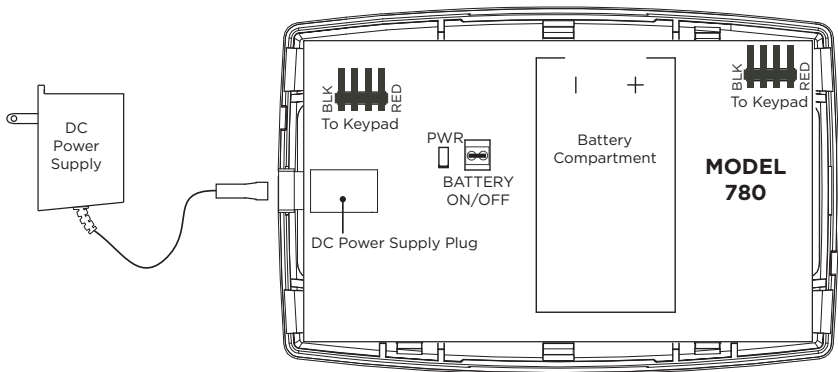
Use the following steps to connect the DC power supply.

1. Plug the barrel connector into the DC power supply plug on the side of the 780 module. See Figure 2.
2. Plug the DC Power Supply into a 110 Volt AC outlet.



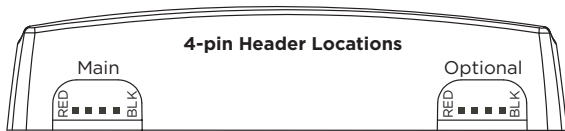
**Note:** DC power supply operation automatically overrides and internally disconnects battery operation. The DC Power Supply is required for use with the 7800 Series Graphic Touchscreen keypad.





**Figure 2: 780 PCB Layout and Power Options**

## 3 Connect the Keypad



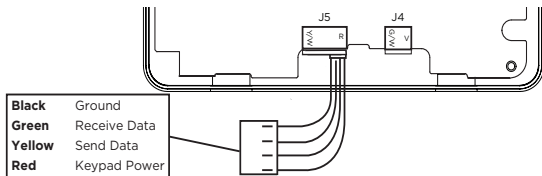
**Figure 3: Keypad Connectors**

### Icon or Thinline Keypad

1. Remove the keypad cover, with circuit board and components attached, from the keypad base.
2. Align the keypad base to the four keypad mounting holes on the 699 Deskstand.
3. Insert the screws through the keypad base and deskstand.
4. Use a Phillips-head screwdriver to tighten the four screws into place.
5. Run the 4-wire harness through the opening in the deskstand and keypad base.
6. Observe wire colors and plug one end of the 4-wire harness into the back of the keypad.
7. Connect the opposite end of the 4-wire harness to the 4-wire header in the top of the 780 housing. When using a second keypad, connect the second 4-wire harness to the 4-wire header.



**Note:** It is not necessary to remove the 780 module cover to complete the keypad connection.



**Figure 4: 7800 Keypad Connectors**

## 7800 Series Keypad

1. Remove the 7800 keypad cover, with circuit board and components attached, from the keypad base.
2. Align the keypad base to the four keypad mounting holes on the 699 Deskstand.
3. Insert the screws through the keypad base and deskstand.
4. Use a Phillips head screwdriver to tighten the four screws into place.
5. Run the 4-wire harness through the opening in the deskstand and keypad base.
6. Plug the terminal end onto the right edge of the 12-pin header in the back of the keypad.
7. Snap the keypad cover onto the base.
8. Connect the opposite end of the 4-wire harness to the 4-wire header in the top of the 780 housing.

# PROGRAM KEYPADS FOR DEMONSTRATIONS

## *Icon Series Keypad*

The Icon Series keypad does not need to be programmed for address or supervision.

## *Thinline™ Keypad*

Access the Installer Options Menu through the User Options function. Hold down the Back Arrow and **CMD** keys for two seconds to display **SET BRIGHTNESS**. Enter the code **3577** (INST) and press **CMD**. Select **KPD OPT**. Press the **CMD** key to scroll through the menu and press any Select key when the desired option displays. Set the following options as described to enable 780 operation.

CURRENT KEYPAD ADDRESS:                   01
---

### **Keypad Address**

Set the keypad address to **01**. To change the current address, press any Select key and then enter the new address. When using two keypads, set both keypads to address **01**.

KEYPAD MODE: *SUP                       UNSUP
--

### **Keypad Mode**

Set the keypad to Supervised. To change the current setting, press the Select key under **SUP** or **UNSUP** to display an asterisk and enable the selected mode. When using two keypads select Unsupervised operation for the second keypad.

When you complete keypad programming, press the **CMD** key once to return to the Installer Options screen. Select **STOP** to exit the Installer Options function.

## 7800 Keypad

Access the Options screen on the Carousel menu and press Installer Options. Enter the code **3577** (INST) and press **CMD**. Select **KPD OPT**. Press **CMD** to scroll through the menu and press the desired option when displayed. Set the following options as described to enable 780 operation.

CURRENT KEYPAD ADDRESS:	01
----------------------------	----

### Keypad Address

Set the keypad address to **01**. To change the current address, press the address and enter the new address. When using two keypads, set both keypads to address **01**.

KEYPAD MODE:	
*SUP	UNSUP

### Keypad Mode

Set the keypad to Supervised. To change the current setting, press **SUP** or **UNSUP** to display an asterisk and enable the selected mode. When using two keypads select Unsupervised operation for the second keypad.

When you complete keypad programming, press **CMD** once to return to the Installer Options screen. Select **STOP** to exit the Installer Options function.

See the Icon Series Keypad Installation Guide (LT-0953), Thinline Keypad Installation Guide (LT-0883), or 7800 Series Keypad Install Guide (LT-1162) for the complete keypad programming menu.

# PROGRAM KEYPADS FOR FIRE PANIC DEMONSTRATIONS

## *Icon Series Keypad*

Access the Installer Options Menu from the User Options menu while displaying the Software Version or Model Number. When either is displayed, enter the code **3577** (INST) and press **CMD**.



### **Fire Key (F 1)**

Use this option to configure the top two right Select keys as 2-button Fire keys. The far left position displays **F** (Fire) and the far right position displays the fire key setting. To enable the fire key operation press the number one key. This toggles between one (1) and zero (0) on the display. Zero (0) disables this option.

## Thinline Keypad

Access the Installer Options Menu through the User Options function. Hold down the Back Arrow and **CMD** keys for two seconds to display **SET BRIGHTNESS**. Enter the code **3577** (INST) and press **CMD**.

ARM PANIC KEYS:

PN      EM      \*FI

### Arm Panic Keys

Use this option to configure the top row far right Select keys as 2-button Fire Panic keys. To enable or disable the panic keys, press the Select key under the **FI** (Fire) display. Once the fire panic is enabled, an asterisk displays next to the description. See the keypad's Installation Guide (LT-0883) for the complete keypad programming menu.

## 7800 Keypad

Access the Installer Options Menu through the User Options function. Press the Installer Options Icon to display the Keypad screen. Enter the code **3577** (INST) and press **CMD**. Press **KPD OPT** and then press **CMD** until **ARM PANIC KEYS** is displayed.

ARM PANIC KEYS:

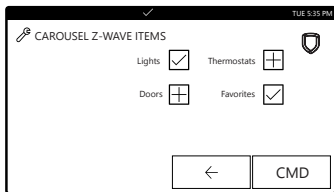
PN      EM      \*FI

### Arm Panic Keys

Use this option to configure the Panic Icons. To enable or disable the Panic Icon, press the icon name **FI** (Fire). Once the Panic Icon is enabled, an asterisk displays next to the description and press **CMD**. The Panic Icon displays for the user. See the 7800 Series Keypad Install Guide (LT-1162) for the complete keypad programming menu.

# PROGRAM THE GRAPHIC KEYPAD FOR Z-WAVE DEMONSTRATIONS

Access the Options screen on the Carousel menu and press Installer Options. Enter the code **3577** (INST) and press **CMD**. Select **KPD OPT**. Press **CMD** to scroll through the menu. Press the Carousel Z-Wave Items when displayed.



Use this option to select the Z-Wave options to be displayed in the Carousel Menu on the main screen. Press the item to select and a check-mark displays. Press again to de-select. Items for the Carousel include Lights, Locks, Thermostats, and Favorites.



# PROGRAM AN ARMING SYSTEM FOR THE 780

## *Icon Series Keypad*

Within the first 20 seconds of power-up, select All/Perimeter or Home/Sleep/Away arming systems to demonstrate.



### **All/Perimeter**

Press the **ALL** (1) button or the **PERIM** (6) button for 2 seconds to select. All/Perimeter arming system.



### **Home/Sleep/Away**

Press the **HOME** (3) button or the **SLEEP** (7) button for 2 seconds to select the Home/Sleep/Away arming system.



**Note:** If an arming system is not selected within the first 20 seconds or the **CMD** key is pressed, the 780 reverts to the last arming system programmed for demonstration. If the last arming system programmed was an Area system, the Icon Series keypad displays **bsy**. Use a Thinline keypad to change the arming system or power down and power up the 780 to select All/Perimeter or Home/Sleep/Away.

## Thinline Keypad

Select Area, All/Perimeter, or Home/Sleep/Away arming systems to demonstrate.

PROGRAMMER

### Programmer

Enter 6653 at the status list to access the Programmer. Press **CMD**. The currently selected arming system displays.

ARMING SYSTEM  
AREA A/P H/A

### Arming System

To change the current system, press any Select key to display the options. Press the Select key below the system to use, Area, A/P, or H/A. Press **CMD** to display **STOP** and press any Select key to end programming.

## 7800 Keypad

PROGRAMMER

### Programmer

Access the keypad screen through the Carousel menu. Enter **6653** at the status list to access the Programmer. Press **CMD**. The currently selected arming system displays.

ARMING SYSTEM  
AREA A/P H/A

### Arming System

To change the current system, press **ARMING SYSTEM** to display the options. Press the desired option to use, Area, A/P, or H/A. Press **CMD** and press **STOP** to end programming.

## 7800 Keypad

For demonstration purposes, the Area, All/Perimeter, and Home/Sleep/Away arming systems contain factory programmed areas.

AREA ARMING	All/Perimeter (All/Perim) and Home/Sleep/Away (H S A)
1. Northwest Office (includes the Front Door)	Perimeter (includes the Front Door)
2. Manufacturing	Interior
3. South Warehouse	Bedrooms (H S A)
4. West Power Plant	

# 780 DEMONSTRATION

## *Keypad Operation*

The 780 Demo module simulates the keypad User Menu available to customers in actual installations. Use the following sections to demonstrate keypad setup and operation. Prior to demonstrating operation, make sure your demo keypad is set as follows:

- **7800/Thinline:** Set to Address 1 and accepts 4-digit user codes from the keypad.
- **Icon:** Does not need to be programmed for address, supervision, or 4-digit user codes.

## User Menu Options

### Thinline Keypads

To enter the User Menu, press the **CMD** key until **MENU? NO YES** displays then select **YES**. At the **ENTER CODE: -** option, enter any 4-digit code.

Once in the User Menu, use the **CMD** and Back Arrow keys to scroll through the available options. To access any of the available options in the User Menu, press any Select key when the desired option displays.

- **Alarm Silence** Simulates silencing an alarm.
- **Sensor Reset** Simulates resetting sensors.
- **Armed Areas** Displays the name of each armed area for 4 seconds.
- **Zone Monitor** Simulates the tone a user hears when using the zone monitor.
- **User Codes** Simulates the adding and deleting of user codes to the system. After specifying the user level, you can use the keypad screen to demonstrate entering a custom user name into the system.




**Note:** The keypad time is not adjustable and starts at 10:00AM and returns to 10:00AM after 59 minutes elapse.

## 7800 Keypad

To enter the User Menu, press the **KEYPAD** on the Carousel Menu. Press **CMD** until **MENU? NO YES** displays, then select **YES**. At the **ENTER CODE: -** option, enter any 4-digit code.

Once in the User Menu, use **CMD** and Back Arrow to scroll through the available options. To access any of the available options in the User Menu, press the desired option when it displays.

- **Alarm Silence** Simulates silencing an alarm.
- **Sensor Reset** Simulates resetting sensors.
- **Armed Areas** Displays the name of each armed area for 4 seconds.
- **Zone Monitor** Simulates the tone a user hears when using the zone monitor.
- **User Codes** Simulates the adding and deleting of user codes to the system. After specifying the user level, you can use the keypad screen to demonstrate entering a custom user name into the system.

 **Note:** The keypad time is not adjustable and starts at 10:00AM and returns to 10:00AM after 59 minutes elapse.

## Keypad Shortcut Key Options

### Icon Series and all Thinline Keypads

Your keypad provides one-button shortcut keys. While the Demo is disarmed, hold down a keypad button for two seconds until the tone re-sounds.

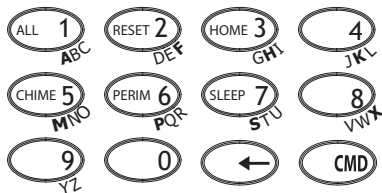


Figure 5: Keypad Shortcut Keys

#### Keypad Key

Press Key 1

Press Key 2

Press Key 3

Press Key 5

Press Key 6

Press Key 7

Press **INST** Key

#### Arming System Operation

Arm **A**way for Home/Sleep/Away systems

Arm **A**ll for All/Perimeter systems

Sensor (**F**ire) Reset on all systems

Note: Requires user code for Area systems

Arm **H**ome for Home/Sleep/Away systems

**M**onitor (Chime) on all systems

Arm **P**erimeter for All/Perimeter systems

Arm **S**leep for Home/Sleep/Away systems

Instantly arms system without the countdown (Icon only)

## 7800 Keypads Carousel Menu Options

The 780 Demo module simulates the Carousel Menu available to customers in actual installations. The module also has an Interactive Shield that provides arming and disarming from the Main screen. Your 7800 Series keypad provides access options through icons on the menu.

CAROUSEL MENU	ARMING SYSTEM OPERATION
<b>Reset</b>	Resets the smoke detector sensors after a fire alarm.
<b>Check-in</b>	Displays the keypad screen and prompts entry of a USER CODE. Enter your user code to send a Check-in Report.
<b>Chime</b>	Activates MONITOR.
<b>Panic</b>	Opens the Panic Options screen to send a POLICE, EMERGENCY, or FIRE report.
<b>Easy Exit</b>	Activates the Exit Delay timer.
<b>Keypad</b>	Displays the keypad screen like the standard button type keypad.
<b>Options</b>	Displays the Setting Options screen where you may adjust the Screen Brightness, Tone, and Volume.
<b>Lights</b>	Displays the Lights screen, allowing you to turn ON or OFF or to DIM Z-Wave lights
<b>Doors</b>	Displays the Z-Wave Locks screen, allowing you to LOCK or UNLOCK Z-Wave doors and display the battery status of each lock.
<b>Thermostats</b>	Displays the Z-Wave Thermostat screen, allowing you to select ON or OFF, COOL or FAN, and adjust the temperature.
<b>Favorites</b>	Displays the Z-Wave Favorites screen, allowing you to select and activate a Z-Wave Favorite.



## *Arm an Area System*

### **Icon Series Keypads**

In an Area system, the Icon Series keypad displays **bsy**. Use a Thinline LCD keypad to change the arming system or power down and power up the 780 to select All/Perimeter or Home/Sleep/Away.

### **Thinline Keypads**

Press the **CMD** key at the status list to display **ARM DISARM** and select **ARM**. At **ALL? NO YES**, select **YES** to arm all areas. Select **NO** to only arm selected areas. The name of each area displays along with the area number and a **NO YES** option. Select **NO** to leave the area disarmed and display the next area.

### **7800 Keypad**

Press the Interactive Shield on the main screen. Select from either **ARM DISARM** and select **ARM**. At **ALL? NO YES**, select **YES** to arm all areas. Select **NO** to only arm selected areas. The name of each area displays along with the area number and a **NO YES** option. Select **NO** to leave the area disarmed and display the next area.

## *Arm an All/Perim and H S A Systems*

### **Icon Series Keypads**

The Icon Series keypad supports arming the system with shortcut keys.

Shortcut Key Arming:

Arm All or Away	Press <b>1</b>	Arm Home	Press <b>3</b> to arm the perimeter.
Arm Perimeter	Press <b>6</b>	Arm Sleep	Press <b>7</b> to arm the perimeter and interior areas and leave the bedroom area disarmed.

While the Thumbs Up Icon is displaying, press and hold any of the shortcut keys for two seconds to arm your system. A Closed Lock Icon will display and displays **A** for **ALL**, **H** for **HOME**, **P** for **PERIMETER**, or **S** for **SLEEP**.

### **Thinline Keypads**

Press **CMD** at the status list and select from either the **PERIM ALL** or **HOME SLEEP AWAY** options. During the exit delay in All/Perimeter and Home/Sleep/Away systems, press the Select key under **INSTANT** to instantly arm the areas.

### **7800 Keypads**

Press the Interactive Shield on the main screen. Select from either **PERIM ALL** or **HOME SLEEP AWAY** by pressing the option. During the exit delay in All/Perimeter and Home/Sleep/Away systems, press **ARM INSTANT** to instantly arm the areas.

## *Disarm an Area System*

### **Thinline Keypads**

Press **CMD** to display **ARM DISARM**. Select **DISARM** to display **ENTER CODE: -**. Enter any 4-digit code. The Demo displays **ALL? NO YES**, select **YES** to disarm all four areas. Select **NO** to disarm selected areas. The keypad displays the name and number of each area and a **NO YES** option. Select **NO** to leave the area armed and display the next area. The keypad displays **ALL SYSTEM OFF**.

### **7800 Keypad**

Press the Interactive Shield on the main screen. Select **DISARM** to display **ENTER CODE: -**. Enter any 4-digit code. The Demo displays **ALL? NO YES**, select **YES** to disarm all four areas. Select **NO** to disarm selected areas. The keypad displays the name and number of each area and a **NO YES** option. Select **NO** to leave the area armed and display the next area. The keypad displays **ALL SYSTEM OFF**.

## *Disarm an All/Perim and H S A Systems*

### **Icon Series Keypads**

When the Armed (Closed Lock) Icon is displaying, enter any 4-digit code. The keypad displays the Unarmed (Open Lock) Icon.

### **Thinline Keypads**

Enter any 4-digit code. The keypad displays **ALL SYSTEM OFF**.

### **7800 Keypad**

Press the Interactive Shield on the main screen. Enter any 4-digit code. The keypad displays **DISARMED** below the Interactive Shield on the main screen.

## *Front Door Zone Alarm for an Area System*

### **Thinline Keypad**

While armed, pressing the far left top row Select key for 2 seconds simulates a front door zone fault and starts the entry delay. After 10 seconds, the keypad displays **FRONT ENTRY DOOR** alarm.

Entering any 4-digit user code silences the alarm while leaving the areas armed. To turn off the Red keypad backlighting, disarm the system.

### **7800 Keypad**

While armed, access the keypad screen from the Carousel menu. Pressing the far left Select area for 2 seconds simulates a front door zone fault and starts the entry delay. After 10 seconds, the keypad displays **FRONT ENTRY DOOR** alarm.

Entering any 4-digit user code silences the alarm while leaving the areas armed. To turn off the Red backlighting, disarm the system.

## *Front Door Zone Alarm for an All/Perim and H S A Systems*

### **Icon Series Keypads**

While armed, pressing the far left top row Select key for 2 seconds simulates a front door zone fault and starts the entry delay. After 10 seconds, the keypad displays **FRONT ENTRY DOOR** alarm.

Entering any 4-digit code displays **CANCEL VERIFY**. Press the Select key under **CANCEL** to silence the alarm. **ALC** (ALARM CANCELED) displays. Press the Select key under **VERIFY** to silence the alarm only. **A** (ARMED) displays and the system remains armed.

### **Thinline Keypad**

While armed, pressing the far left top row Select key for 2 seconds simulates a front door zone fault and starts the entry delay. After 10 seconds, a **FRONT ENTRY DOOR** alarm displays.

Entering any 4-digit code displays **IS THIS A FALSE ALARM? NO YES**. Press **YES** to silence the alarm. **ALARM CANCELED** displays. Press **NO** to silence the alarm only. **ALARM VERIFIED** displays.

### **7800 Keypad**

While armed, access the keypad screen from the Carousel menu. Pressing the far left Select area for 2 seconds simulates a front door zone fault and starts the entry delay. After 10 seconds, the keypad displays **FRONT ENTRY DOOR** alarm.

Entering any 4-digit code displays **IS THIS A FALSE ALARM? NO YES**. Press **YES** to silence the alarm. **ALARM CANCELED** displays. Press **NO** to silence the alarm only. **ALARM VERIFIED** displays.

## *Fire Alarm for Icon or Thinline Keypads*

### **Zone Alarm**

Pressing the second top row Select key for 2 seconds simulates a fire zone alarm. The keypad displays **SMOKE DETECTOR** and sounds the alarm. To silence the alarm, enter any 4-digit code.

### **Panic Key Fire Alarm**

To demonstrate the panic fire alarm capability, the 780 provides an audible and visual alarm representation of a user-activated fire alarm. Initiate the alarm by pressing and holding the two top right Select keys.

### **Red Backlighting**

Perform a Fire (Sensor) Reset to turn off the Red keypad backlighting. Refer to the *User Menu Options* or *Keypad Shortcut Key Options*.

## *Fire Alarm for 7800 Keypad*

### **Zone Alarm**

Access the keypad screen from the Carousel menu. Pressing the second top row Select key for 2 seconds simulates a fire zone alarm. The keypad displays **SMOKE DETECTOR** and sounds the alarm. To silence the alarm, enter any 4-digit code.

### **Panic Key Fire Alarm**

To demonstrate the panic fire alarm capability, the 780 provides an audible and visual alarm representation of a user-activated fire alarm. Initiate the alarm by pressing Panic on the Carousel menu and holding the Fire Icon.

### **Red Backlighting**

Perform a Fire (Sensor) Reset to turn off the Red keypad backlighting. Refer to *Reset* in the Carousel Menu Options section in this document.



## Weather Demonstration for Thinline and 7800 Series Keypads

The 780 Demonstrator Module rotates through pairs of simulated weather conditions from Monday through Sunday. Weather conditions are displayed for **NOW** and the following day on the main screen for the 7800 Series Keypad and in the status list for the Thinline Keypads.



Figure 6: 7800 Series Keypad Weather Display

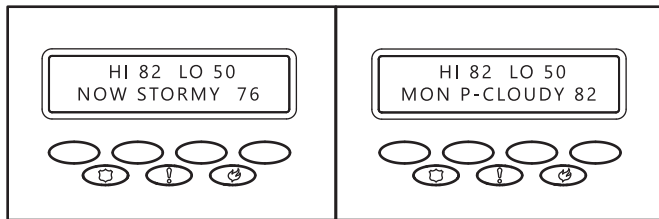


Figure 7: Thinline Series Keypad Weather Display

## Z-Wave Demonstration for 7800 Series Keypads

The Z-Wave Demonstration mimics the control of Z-Wave devices. When you change the status of a Z-Wave Lights, Locks, or Thermostats, the keypad displays updates to mimic the change.

### Z-Wave Lights

Press **LIGHTS** until it glows. This displays the Z-Wave Lights screen allowing you to turn **ON** or **OFF** or **DIM** the **BEDROOM LAMP**, **BEDROOM MAIN**, and **LIVING ROOM** lights. Sliders below the icons simulate a Z-Wave Lamp Module with Dimmer. The **HALLWAY** light simulates the Z-Wave Fluorescent Light and Appliance Module. Only four Z-Wave Lights will display per screen. Tap the arrows to page to the next set of lights.

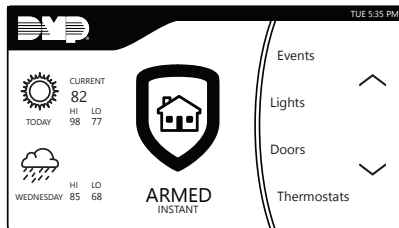


Figure 8: 7800 Series Carousel Menu



Figure 9: Z-Wave Lights Screen

## Z-Wave Doors

Press **DOORS** until it glows. This displays the Z-Wave Locks screen allowing you to **LOCK** or **UNLOCK** the **FRONT DOOR, BACK DOOR, GARAGE DOOR,** and **BASEMENT DOOR** Z-Wave Locks. When the door is locked the Padlock Icon is highlighted and Locked is displayed below the name of the Z-Wave Lock. When the door is unlocked the Key Icon is dim and Unlocked is displayed below the name of the Z-Wave Lock.

## Z-Wave Thermostats

Press **THERMOSTATS** until it glows. This displays the Z-Wave Thermostats screen allowing you to select **ON** or **OFF, HEAT, COOL** or **FAN**, and adjust the temperature for the **MAIN** and **DOWNSTAIRS** Z-Wave Thermostats. Only one Z-Wave Thermostat will display at one time.

# ACCESSORIES

**699**

**Keypad Desk Stand**

**376**

**Plug-In DC Power Supply**







