

# 861 Auxiliary Power Distribution and Bus Module

## Description

The Model 861 Auxiliary Power Distribution and Bus Module provides multiple auxiliary power terminals and additional Keypad and/or LX-Bus connectors for a clean install. The 861 Module is compatible with all DMP XR100/ XR500 Series panels and XT30/XT50 Series panels, as well as panels from other manufacturers. For maximum flexibility, the Model 861 is rated for either 12 VDC or 24 VDC power input with a maximum current handling capacity of 8 Amps on terminal J1.

## What is Included

- Model 861 Auxiliary Power Distribution and Bus Module
- 18 AWG 8" Red and Black wires
- Model 330 Dual 4-Position Harness
- Hardware pack

## Installing the 861

The 861 is designed to easily mount inside the panel enclosure using the standard 3-hole mounting configuration. See Figure 1.

1. Mount the plastic standoffs to the enclosure using the three included Phillips head screws.
2. Insert the screws from the outside of the enclosure through the holes and into the plastic standoff that mounts on the inside of the enclosure.
3. After tightening and securing the standoffs onto the enclosure, snap the 861 onto the standoffs.

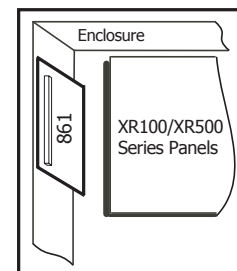


Figure 1: Mounting

## Connecting the 861

Use the J12 output terminal strip on the 861 to connect up to four auxiliary items such as glassbreaks, PIRs, seismic or motion sensors, or expansion modules.

The 4-Wire Bus portion of the Model 861 is split into two banks of eight connectors wired in parallel. Connect one Bus to the panel LX-Bus or Keypad Bus. For convenience you can add up to seven additional LX-Bus or Keypad Bus devices to the same bank. Use the supplied dual 4-position wire to connect Bus A to Bus B and set all 16 headers to operate as only LX-Bus or only Keypad Bus depending on the connection to the panel. Refer to Figure 2 for the 861 PCB layout and wiring connectors.

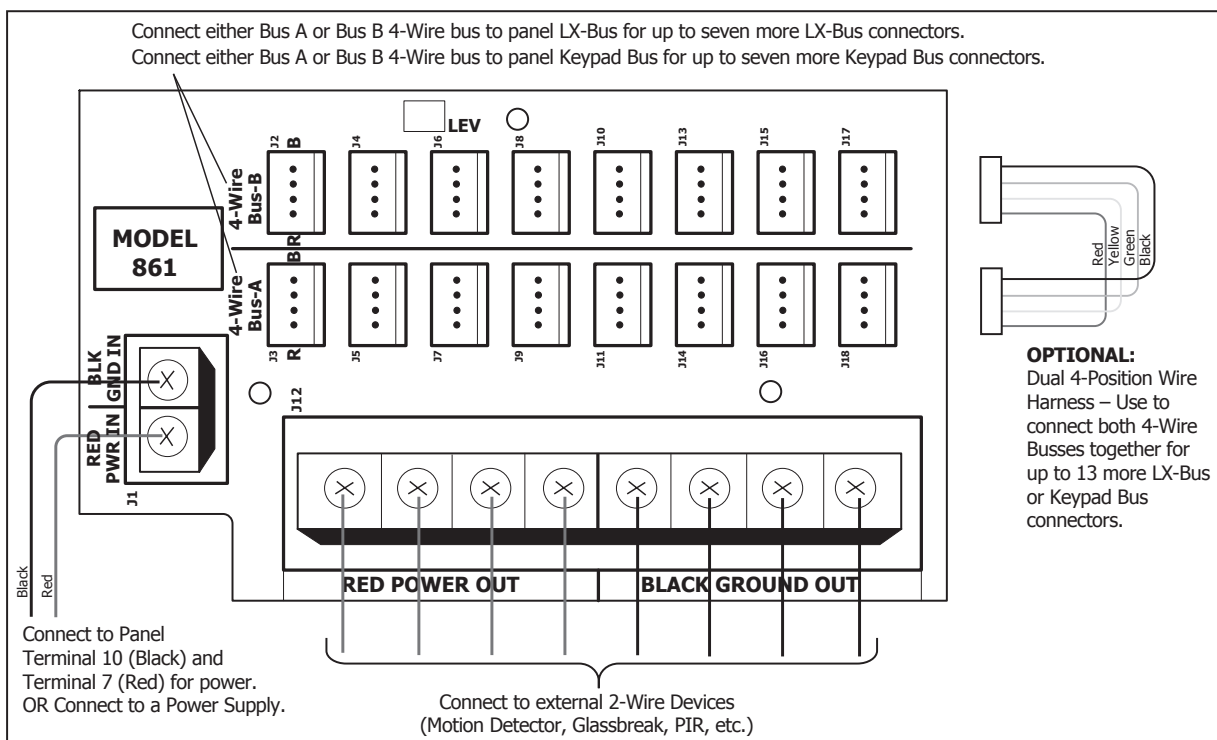


Figure 2: 861 Module Layout and Wiring

