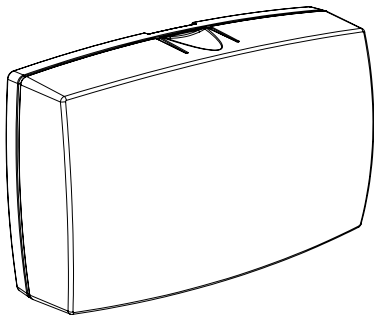


# 734 Wiegand Interface Module

INSTALLATION AND PROGRAMMING GUIDE





# TABLE OF CONTENTS

<b>About the 734.....</b>	<b>1</b>	Initialization Option.....	15
Power Supply.....	1	Initialize Confirm Option.....	16
Zone Terminals.....	1	Activate Zone 2 Bypass.....	16
Annunciators.....	1	Zone 2 Bypass Time.....	17
Indicator LEDs.....	1	Relock on Zone 2 Change.....	17
Form C Relay.....	2	Activate Zone 3 Request to Exit.....	18
Programming Connection.....	2	Zone 3 REX Strike Time.....	19
Keypad In and Out Connections.....	2	Activate On-board Speaker.....	19
		Any Card Format.....	19
<b>PCB Features.....</b>	<b>3</b>		
<b>Install the 734.....</b>	<b>4</b>	<b>Custom Card Definitions.....</b>	<b>20</b>
Mount the 734.....	4	Card Formats.....	20
Wire the Electronic Lock.....	5	Format Name.....	20
Isolation Relay.....	6	Wiegand Code Length.....	20
Install the 333 Suppressor.....	7	Site Code Position and Length.....	21
Wire the Zone Terminals.....	8	User Code Position and Length.....	22
Connect a Card Reader.....	10	Require Site Code.....	22
Set the 734's Address.....	12	Site Code Display.....	22
		Number of User Code Digits.....	23
<b>Program the 734.....</b>	<b>15</b>	No Communication with Panel.....	24
Program Start Display.....	15	Remove Keypad.....	25

<b>Keypad Bus Wiring Specifications.....</b>	<b>26</b>
<b>Public Card Formats .....</b>	<b>27</b>
<b>Compliance Listing Specifications .....</b>	<b>28</b>
UL Commercial Fire.....	28
UL Access Control.....	28
ULC Commercial Burglary (XR150/XR550 Series Panels).....	28
<b>Certifications.....</b>	<b>29</b>
Underwriters Laboratory (UL Listed).....	29
<b>Product Specifications .....</b>	<b>30</b>
<b>Readers and Credentials .....</b>	<b>31</b>

# ABOUT THE 734

The 734 Wiegand Interface Module allows you to use the powerful built-in access control capability of DMP Panels. DMP panels provide access control, arming, and disarming using proximity, mag-stripe, biometric or other Wiegand-output authentication devices.

Connect a 734 to a DMP panel's keypad bus or AX-Bus™ to use the powerful built-in access control capability of DMP panels. The 734 includes the following features:

## POWER SUPPLY

The 734 operates at 12/24 VDC from the power supply supporting a door's magnetic lock or door-strike. It also provides a 10 Amp Form C relay contact for lock control.

## ZONE TERMINALS

Zones 1, 2, and 3 on the 734 can be programmed for a variety of burglary or access control applications. Zone 4 is a class B, style A circuit that may be programmed as a fire zone.

## ANNUNCIATORS

An on-board programmable piezo provides local annunciation at the 734. You can also connect a variety of switched ground annunciators to the 734 for remote annunciation.

## INDICATOR LEDs

The 734 provides three indicator LEDs. The red LED turns on for the same duration as the door strike relay. The yellow LED turns on for one second to indicate receipt of a valid Wiegand input. The green LED indicates that data is being sent to the panel.

## FORM C RELAY

The 734's Form C relay draws up to 35 mA of current. Refer to the NC/C/NO (Dry Contact Relay) and the Isolation Relay sections in this document for more information.

## PROGRAMMING CONNECTION

The 734 also provides a keypad programming connection that allows you to use a standard DMP LCD keypad for initial setup. Programming can be completed using a keypad connected to the 734 or from XR150/XR550 or XR150INT/XR550INT Series panels.

## KEYPAD IN AND OUT CONNECTIONS

The keypad in (KYPD IN) connection receives and transmits data to the panel keypad bus or AX-Bus™.

The keypad out (KYPD OUT) connection receives and transmits data out to other keypad(s) or module(s). Install a dual connector four-position harness to allow daisy chain connection to other devices, up to the maximum number of devices supported. XR150 Series panels support up to 8 devices. XR550 Series panels support up to 16 devices. When using the AX-Busses with XR550 devices, you can have 32 doors, expandable to 96.



When the 734 is powered from 24 VDC, do not connect devices to KYPD OUT header.

# PCB FEATURES

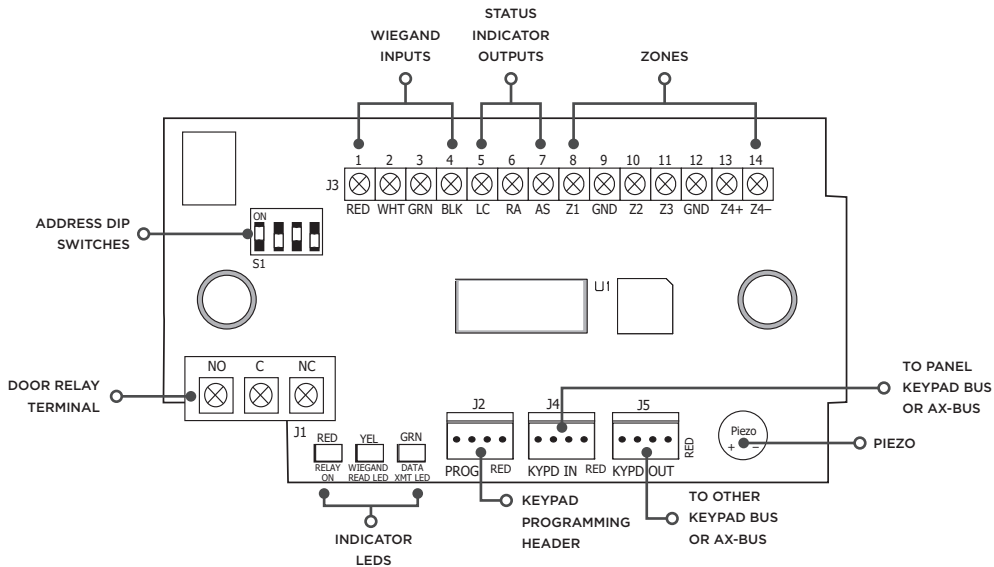


Figure 1: PCB Features

# INSTALL THE 734

## 1 MOUNT THE 734

The 734 comes in a high-impact plastic housing that you can mount directly to a wall, backboard, or other flat surface.

For easy installation, the back and ends of the 734 housing have wire entrances. The back also contains multiple mounting holes that allow you to mount the 734 on a single-gang switch box. DMP recommends mounting the 734 near the protected door. See Figure 2 for mounting hole locations on the housing base.

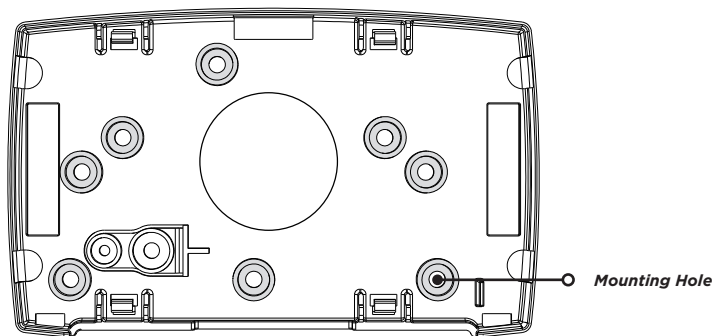


Figure 2: Mounting Hole Locations

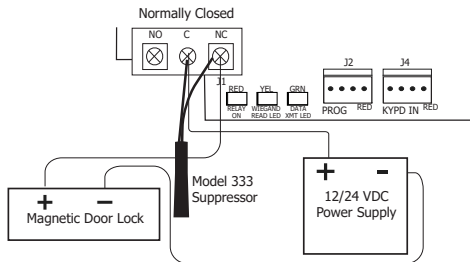


## 2 WIRE THE ELECTRONIC LOCK

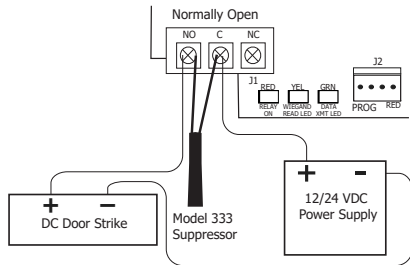
The 734 provides a Form C (SPDT) relay for controlling locks and other electronically-controlled barriers. The three relay terminals marked **NO C NC** allow you to connect the device wiring to the relay for module control.

Use an additional power supply to power magnetic locks and door strikes. See Figures 3 and 4 for typical magnetic lock and door strike wiring.

The Form C relay draws up to 35 mA of current and contacts are rated for 10 Amps (resistive) at 12/24 VDC. When connecting multiple locks to the Form C relay, the total current for all locks cannot exceed 10 Amps. If the total current for all locks exceeds 10 Amps, problems may arise and an isolation relay may be needed. See the Isolation Relay section for information.



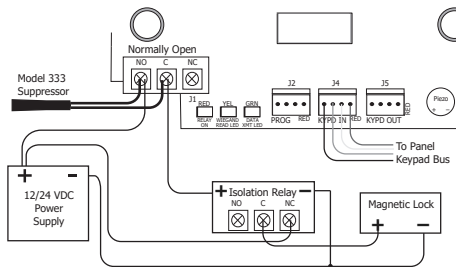
**Figure 3: Typical Magnetic Lock Wiring**



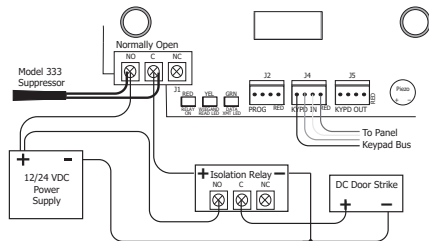
**Figure 4: Typical Door Strike Wiring**

### 3 ISOLATION RELAY (optional)

The Form C relay can control a device that draws less than 10 Amps of current. If a device draws more than 10 Amp of current, or the sum of all devices controlled by the Form C relay exceeds 10 Amps, an isolation relay must be used. Refer to Figures 5 and 6 for isolation relay wiring.



**Figure 5: Magnetic Lock with an Isolation Relay**



**Figure 6: Door Strike with an Isolation Relay**

## 4 INSTALL THE 333 SUPPRESSOR

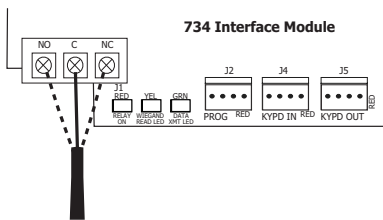
Use the included 333 suppressor with the 734 to suppress any surges caused by energizing a magnetic lock or door strike.

Install the 333 across the 734 **C** (common) and **NO** (normally open) or **NC** (normally closed) terminals.

If the device being controlled by the relay is connected to the **NO** and **C** terminals, install the suppressor on the **NO** and **C** terminals.

Conversely, if the device is connected to the **NC** and **C** terminals, install the 333 Suppressor on **NC** and **C** terminals.

The suppressor wire is non-polarized. Install the suppressor as shown in Figure 7.



**Figure 7: 333 Suppressor Installation on the 734**

## 5 WIRE THE ZONE TERMINALS

Terminals 8 through 12 connect grounded zones 1 through 3. These zones have a grounded side and cannot be used for fire-initiating devices. Zones 2 and 3 can also be used for access control with zone 2 providing a bypass feature and zone 3 providing request to exit functionality.

Terminals 13 and 14 connect to zone 4. Zone 4 provides a non-powered Class B ungrounded zone suitable for connection to fire devices such as heat detectors or pull stations.

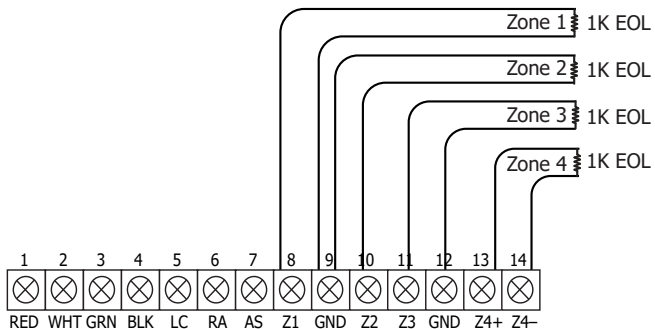


**Note:** You must provide a mechanical means of resetting four-wire smoke detectors or other latching devices on zone 4. The panel does not drop power to the keypad bus or AX-Bus when a Sensor Reset is performed.

Use the supplied 311 1K Ohm end-of-line (EOL) resistors on each zone. Refer to the panel programming guide for programming instructions. See the table below and Figure 8 for more information on wiring the zone terminals.

ZONE #	RECOMMENDED DEVICE	RESIDENTIAL FIRE DEVICES?
1	Any burglary device	No
2	Door Contact	No
3	REX (PIR or Button)	No
4	Any device	Yes

**Table 1: 734 Zone Uses**



**Figure 8: 734 Zone Terminal Wiring**

## 6 CONNECT A CARD READER *(optional)*

The 734 provides direct 12/24 VDC, 200 mA output to the reader on the **RED** terminal connection. Figure 9 shows a reader with wire colors **RED**, **WHT**, **GRN**, and **BLK** connecting to terminals 1, 2, 3, and 4.

The green wire carries Data Zero (D0), and the white wire carries Data One (D1). The red wire connects 12/24 VDC, 200 mA maximum power and the black wire is ground.

The wire colors may be different depending on the reader being installed. Refer to the literature provided with the reader for wire coding, wire distance, cable type (such as shielded), and other specifications.

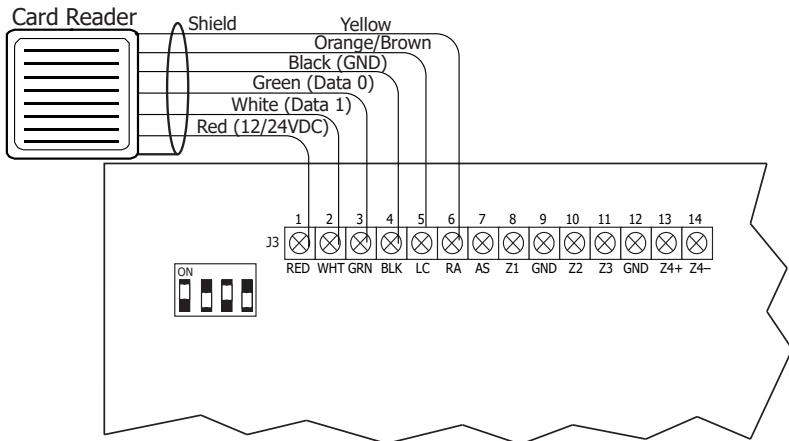
### **Card Reader LED Operation**

To provide visual indication of a valid card read, the card reader can be wired to illuminate the green LED for the duration of the door strike.

Connect the orange or brown wire to **LC** terminal 5 to have the green LED stay on for the duration of the relay activation.

### **Card Reader Annunciation**

Connect the yellow wire to **RA** terminal 6 to have the remote annunciator turn on anytime the panel instructs the 734 on-board piezo to turn on.



**Figure 9: Card Reader Wiring**

# 7 SET THE 734'S ADDRESS

To set the 734 address, move the DIP switches on the PCB to the appropriate positions. See the following sections, Figures 10 and 11, and Table 2 to determine how to set keypad bus or AX-Bus addresses.

## Keypad Bus Addresses Explained

Each keypad bus address can accommodate one door output and four expansion zones.

A 734 with an address of 2 on the keypad bus would represent door 2 and zones 21-24. A 734 with a keypad address of 14 would represent door 14 and zones 141-144.

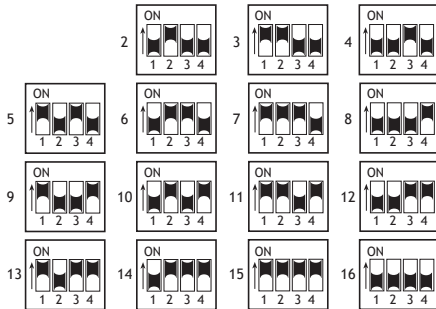


Figure 10: Keypad Bus Addresses

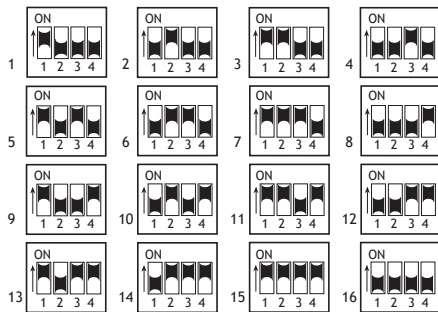


## AX-Bus Addresses Explained

XR550 panels are capable of access control expansion using any of the five AX/LX-Bus headers (AX/LX500, 600, 700, 800, and 900). An AX-Bus address can accommodate one door output and one expansion zone. Because the 734 has a built-in four-zone expander, three extra zones will be mapped to the 734 automatically. A 734 with an address of 1 on AX500 would represent door 501 and zones 501-504. A 734 with an address of 2 on AX500 would represent door 505 and zones 505-508. A 734 with an address of 1 on AX700 would represent door 701 and zones 701-704.



**Note:** Hardwired zone expanders and addressable points and modules do not communicate on an AX-Bus. AX-Bus doors do not have programmable device or communication types and do not have assignable display areas.



**Figure 11: AX-Bus Addresses**

## 734 Address Table

To set the 734 address, move the DIP switches to the appropriate positions. See Figures 10 and 11 for how to place the DIP switches for keypad bus and AX-Bus addresses.

DEVICE/ DOOR	ZONES	DEVICE/ DOOR	ZONES	DEVICE/ DOOR	ZONES	DEVICE/ DOOR	ZONES	DEVICE/ DOOR	ZONES	DEVICE/ DOOR	ZONES
1	11-14	501	501-504	601	601-604	701	701-704	801	801-804	901	901-904
2	21-24	505	505-508	605	605-608	705	705-708	805	805-808	905	905-908
3	31-34	509	509-512	609	609-612	709	709-712	809	809-812	909	909-912
4	41-44	513	513-516	613	613-616	713	713-716	813	813-816	913	913-916
5	51-54	517	517-520	617	617-620	717	717-720	817	817-820	917	917-920
6	61-64	521	521-524	621	621-624	721	721-724	821	821-824	921	921-924
7	71-74	525	525-528	625	625-628	725	725-728	825	825-828	925	925-928
8	81-84	529	529-532	629	629-632	729	729-732	829	829-832	929	929-932
9	91-94	533	533-536	633	633-636	733	733-736	833	833-836	933	933-936
10	101-104	537	537-540	637	637-640	737	737-740	837	837-840	937	937-940
11	111-114	541	541-544	641	641-644	741	741-744	841	841-844	941	941-944
12	121-124	545	545-548	645	645-648	745	745-748	845	845-848	945	945-948
13	131-134	549	549-552	649	649-652	749	749-752	849	849-852	949	949-952
14	141-144	553	553-556	653	653-656	753	753-756	853	853-856	953	953-956
15	151-154	557	557-560	657	657-660	757	757-760	857	857-860	957	957-960
16	161-164	561	561-564	661	661-664	761	761-764	861	861-864	961	961-964

**Table 2: Device Addresses and 734 Zone Numbers**

# PROGRAM THE 734

When you program a 734, you can use a keypad connected to the 734 programming header and set to address 1. For 12 V applications, connect the keypad to the module using a Model 330 4-wire harness. For 24 V applications, connect the keypad to the module using a Model 330-24 4-wire programming harness with in-line resistor.



Do not connect a keypad using a standard Model 330 harness if using a 24 V power supply! Damage to the keypad could occur.

You can also program the 734 from an XR150/XR550 Series panel. If you choose to program the 734 from the panel, all future programming should be performed through the panel. The panel's programming overrides any programming performed from a keypad connected to the 734.

While the 734 is in programming mode, it will not be able to communicate with the panel.

734 PROGRAMMING  
VER VVV MM/DD/YY

## PROGRAM START DISPLAY

When you connect the keypad to the 734 module, the version number and release date display. Press **CMD** to enter the Programming Menu.

INITIALIZE ALL?  
NO YES

## INITIALIZATION OPTION

These options can set the 734 module programming memory back to factory defaults. Press any select key or area to enter the initialization menu.

ARE YOU SURE?  
YES NO

ACTIVATE ZONE 2  
BYPASS? NO YES

## INITIALIZE CONFIRM OPTION

After selecting **YES** to clear the Access Options, the 734 displays **SURE? YES NO** for confirmation to clear the memory. This is a safeguard against accidentally erasing the programming. No memory is cleared from the programming until you answer **YES** to the **SURE?** option. Selecting **NO** leaves communication options unchanged.

## ACTIVATE ZONE 2 BYPASS

Select **YES** to activate the zone 2 bypass operation. Selecting **NO** allows standard zone operation on zone 2. The default is **NO**.

If the door being released by the 734 module is protected (contact installed), a programmable bypass entry/exit timer can be provided by connecting its contact wiring to the 734 module zone 2. When the on-board Form C relay activates and the user opens the door connected to zone 2, the zone is delayed for the number of seconds programmed in **ZONE 2 BYPASS TIME** allowing the user to enter/exit during an armed period.

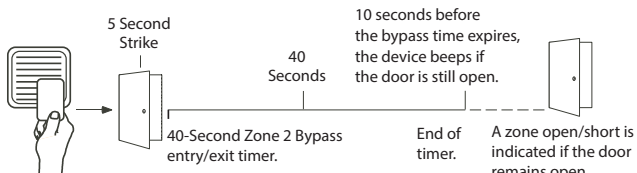
If zone 2 does not restore (door closed) within the programmed time, the piezo sounds every other second during the last ten seconds. If zone 2 restores prior to the end of the programmed time, the piezo silences. If the zone does not restore before the programmed time, the 734 ends the bypass and indicates the open or short zone condition to the panel.

ZONE 2 BYPASS  
TIME:

**40**

## ZONE 2 BYPASS TIME

Enter the number of seconds to elapse before the bypass timer expires. The range is 20-250 seconds. Press any select key or area to enter the number of seconds. The default is **40** seconds. Figure 12 shows how the bypass option works.



**Figure 12: Zone 2 Bypass Timeline using default time**

RELOCK ON ZONE 2  
CHANGE? **NO** YES

## RELOCK ON ZONE 2 CHANGE

Selecting **YES** turns the relay off when zone 2 changes state. Selecting **NO** leaves the relay on when zone 2 changes state. Turning off the relay at Door Closed allows a long strike time to be automatically ended and relocks the door. The default is NO.

ACTIVATE ZONE 3 REX? <b>NO</b> YES
---------------------------------------

## ACTIVATE ZONE 3 REQUEST TO EXIT

Selecting **YES** activates the zone 3 Request to Exit (REX) option. Selecting **NO** allows standard zone operation on zone 3. Default setting is **NO**.

Connect a motion sensing device or a mechanical switch to zone 3 to provide REX capability to the system.

When zone 3 shorts, the on-board Form C relay activates for the programmed number of seconds. See Zone 3 REX Strike Time. During this time, the user can open the protected door to start the programmed zone 2 bypass entry/exit timer. After the programmed number of seconds, the relay restores the door to its locked state.

The 734 module provides a bypass-only option for REX on zone 3. When zone 3 OPENS from a NORMAL state, only a bypass occurs: the on-board relay does not activate. This bypass-only option uses two methods of REX.

The first REX device provides the programmed bypass entry/exit timer. The second REX unlocks the door.

ZN 3 REX STRIKE  
TIME:

**5**

## ZONE 3 REX STRIKE TIME

Enter the number of REX seconds to elapse. Range is from 5 to 250 seconds. Press any select key or area to enter the number of seconds. The default is **5** seconds.

ACTIVATE ONBOARD  
SPEAKER? **NO** YES

## ACTIVATE ON-BOARD SPEAKER

Select **YES** to enable the onboard piezo for local annunciation, such as alarm and trouble annunciations. Select **NO** to turn the speaker off for all operations. This does not affect remote annunciator open collector (RA) operation. The default is **NO**.

ANY CARD FORMAT  
**NO** YES

## ANY CARD FORMAT

Select **YES** to allow all card reads to activate the door strike relay. The door strike relay is activated for the length of time programmed in **ZN 3 REX TIME**. No user code information is sent to the panel. Default is **NO**.

# CUSTOM CARD DEFINITIONS

CARD FORMATS  
FORMAT NO: -

## CARD FORMATS

*Notice: If you see CARD OPTIONS, refer to LT-0737C.*

Select the slot number (1-7) that you would like to program a custom non-DMP card format into. Select 8 if you would like to program a DMP card format. See Public Card Formats for some publicly available card formats that can be used with the 734. Other private or custom formats may also be compatible. Please contact the credential supplier or manufacturer for the bit structure.



**Note:** If you select slot 1 and you are upgrading from XR panel version 182 or earlier, **FORMAT NAME** will automatically be named **SINGLE CARD FORMAT** and **WIEGAND CODE LENGTH** will default to 45.

FORMAT NAME  
\*UNUSED\*

## FORMAT NAME

Press any select area to rename the card format. Press **CMD** to save and advance.

WIEGAND CODE  
LENGTH: 26

## WIEGAND CODE LENGTH

When using a custom credential, enter the total number of bits to be received in Wiegand code including parity bits.





USER CODE

POS: **9**      LEN: **16**

## USER CODE POSITION AND LENGTH

Define the user code start bit position and length. Press select area 2 to clear the user code position and enter a number between 0-255. Press **CMD** to save. Default is **9**.

Press select area 4 to clear the user code length and enter a number between 16-64. Press **CMD** to save. The default is the DMP value of **16**.

REQUIRE SITE

CODE:      **NO** YES

## REQUIRE SITE CODE

Press the top row select key or area under **YES** to use a site code and press **CMD** to view the site code entry display. Press **NO** to advance to **NO OF USER CODE DIGITS**. Default is **NO**.

In addition to user code verification, door access is only granted when any one site code programmed at the **SITE CODE ENTRY** option matches the site code received in the Wiegand string.

SITE CODE 1:

## SITE CODE DISPLAY

You can program up to eight 8-digit site codes. The site code range is 0-16,777,214.

In the keypad display, enter site code 1 and press **CMD**. The display will ask for site code 2 followed by site code 3 and so on. When you have selected the site code you want to change, press **CMD**.

NO OF USER CODE  
DIGITS: **5**

## NUMBER OF USER CODE DIGITS

The 734 module recognizes user codes from 4-12 digits long. Press any top row select key or area to enter a user code digit length. This number must match the user code number length being programmed in the panel. Default is **5**.

All bits are read and converted into a decimal number string. The number string is left padded with '0' if needed for long user code lengths. When selecting '4' the right digit is dropped and the next four sent.

<b>Example:</b>	# decoded	1234567
	10 digits	0001234567
	5 digits	34567
	4 digits	3456

NO COMM WITH PNL  
**OFF** SITE ANY ON

## NO COMMUNICATION WITH PANEL

Define the relay action when communication with the panel has not occurred for 5 seconds. Default is **OFF**. Press any select key or area to change the default relay action:

Press the first select key or area to choose **OFF** (Relay Always Off) — The relay does not turn on when any Wiegand string is received. **OFF** does not affect any REX operation. If communication is lost during a door strike, the relay remains on for the door strike duration but turns off at the end of the door strike timer.

Press the second select key or area to choose **SITE** (Accept Site Code) — Door access is granted when the Wiegand site code string received matches any site code programmed at **SITE CODE DISPLAY**. Refer to **REQUIRE SITE CODE** for more information.

Press the third select key or area to choose **ANY** (Any Wiegand Read) — Access is granted when any Wiegand string is received.

Press the fourth select key or area to choose **ON** (Relay Always On) — The relay is always on.

Press **CMD** to display the next action.

Press the first select key or area to choose **LAST** (Keep Last State) — The relay remains in the same state and does not change when communication is lost.

NO COMM WITH PNL  
LAST

REMOVE KEYPAD

## REMOVE KEYPAD

The **REMOVE KEYPAD** option continually displays with no time out while the keypad remains connected to the 734 module after programming is finished. After five seconds, the 734 module piezo continually sounds if the keypad remains connected and programming is finished. Remove the keypad harness to disconnect the keypad from the 734 module and silence the alarm.

# KEYPAD BUS WIRING SPECIFICATIONS

Refer to the following Keypad bus/AX-Bus/LX-Bus wiring specifications.

- ▶ DMP recommends using 18 or 22-gauge unshielded wire for all keypad and AX-Bus/LX-Bus circuits. Do not use twisted pair or shielded wire for AX-Bus/LX-Bus and keypad bus data circuits. All 22-gauge wire must be connected to a power-limited circuit and jacket wrapped.
- ▶ On keypad bus circuits, to maintain auxiliary power integrity when using 22-gauge wire do not exceed 500 feet. When using 18-gauge wire do not exceed 1,000 feet. To increase the wire length or to add devices, install an additional power supply that is listed for Fire Protective Signaling, power limited, and regulated (12/24 VDC nominal) with battery backup.



**Note:** Each panel allows a specific number of supervised keypads. Add additional keypads in the unsupervised mode.

- ▶ Maximum distance for any one bus circuit (length of wire) is 2,500 feet regardless of the wire gauge. This distance can be in the form of one long wire run or multiple branches with all wiring totaling no more than 2,500 feet. As wire distance from the panel increases, DC voltage on the wire decreases. Maximum number of AX-Bus/LX-Bus devices per 2,500 feet circuit is 40 devices.
- ▶ Maximum voltage drop between the panel (or auxiliary power supply) and any device is 2.0 VDC. If the voltage at any device is less than the required level, add an auxiliary power supply at the end of the circuit. When voltage is too low, the devices cannot operate properly.

For additional information refer to the panel's Installation Guide, the 710 Installation Sheet (LT-0310), and/or the LX-Bus/Keypad Bus Wiring Application Note (LT-2031).

# PUBLIC CARD FORMATS

CARD FORMAT	WIEGAND CODE LENGTH	SITE CODE POSITION	SITE CODE LENGTH	USER CODE POSITION	USER CODE LENGTH	USER CODE DIGITS
H10301 26 BIT	26	1	8	9	16	5
H10302 37 BIT W/FAC	37	1	16	17	19	6
H10304 37 BIT W/O FAC	37	0	0	1	35	12
FARPOINTE 39 BIT	39	1	17	18	20	7
CORPORATE 1000 35 BIT	35	2	12	14	20	6
CORPORATE 1000 48 BIT	48	2	22	24	23	7

# COMPLIANCE LISTING SPECIFICATIONS

## UL COMMERCIAL FIRE

The 734 Interface Module must be used in conjunction with at least one DMP 630F keypad.

Any Auxiliary Power Supplies must be regulated, power limited, and listed for Fire Protective Signaling Service.

## UL ACCESS CONTROL

The access relay must be configured as fail-safe or fail-secure as determined by the local Authority Having Jurisdiction (AHJ). This system is not intended to be used in place of listed panic hardware.

The power supply must be a listed commercial burglary/household fire, power limited, Class 2 with a compatible voltage range for the product. The 734 requires a 12 or 24 VDC power source.

## ULC COMMERCIAL BURGLARY (XR150/XR550 SERIES PANELS)

When using the zones of the 734 in a listed application, place the module in a listed enclosure and connect a DMP Model 307 Clip-on Tamper Switch to the enclosure programmed as a 24-Hour zone.

The 734 Access Control features have not been investigated by ULC.

The 734 zones can be used in a Low Risk application. For Medium or High Risk applications, refer to the Dual Zone Protection diagram in the XR150/XR550 Canadian installation guide.



# CERTIFICATIONS

**FCC Part 15**

**California State Fire Marshal (CSFM)**

**New York City (FDNY COA #6167)**

## UNDERWRITERS LABORATORY (UL LISTED)

**ANSI/UL 294**

Access Control System Units

Level I

Destructive Attack and Line Security

Level IV

Endurance and Standby Power

**ANSI/UL 365**

Police Connected Burglar

**ANSI/UL 609**

Local Burglar Alarm Units And Systems

**ANSI/UL 1076**

Proprietary Burglar Alarm Units And Systems

**ANSI/UL 1023**

Household Burglar-Alarm System Units

**ANSI/UL 1610**

Central Station Burglar-Alarm Units

**ANSI/UL 864**

Fire Protective Signaling

**ANSI/UL 985**

Household Fire-warning

**ULC S304**

Central And Monitoring Station Burglar Alarm

**ULC/ORD-C1076**

Proprietary Burglar

**ULC Subject-C1023**

Household Burglar

**ULC S545**

Household Fire

# PRODUCT SPECIFICATIONS

<b>Primary Power</b>	8.5 VDC to 28.5 VDC
<b>Current Draw</b>	
Standby	240 mA (Includes 200 mA for proximity reader)
Alarm	260 mA (Includes 200 mA for proximity reader)
Form C Relay	35 mA at 12/24 VDC
<b>Zones</b>	5 VDC, 2 mA max
<b>Dimensions</b>	4.5 W x 2.75 H x 1.75 D in 11.43 W x 7 H x 4.45 D cm
<b>Weight</b>	5.6 oz    .16 kg

# READERS AND CREDENTIALS

125 KHZ PROXIMITY READERS	
P-300	CASCADE PROXIMITY READER
P-500	ALPS PROXIMITY READER
P-640	PATAGONIA PROXIMITY READER WITH KEYPAD
MP-5365	MINIPROX™ PROXIMITY READER
MX-5375	MAXIPROX® PROXIMITY READER
PP-6005B	PROXPOINT® PLUS PROXIMITY READER
PP-5355	PROXPRO PROXIMITY READER WITH KEYPAD
PR-5455	PROXPRO® II PROXIMITY READER
TL-5395	THINLINE II® PROXIMITY READER

125 KHZ PROXIMITY CREDENTIALS	
PSC-1	STANDARD LIGHT PROXIMITY CARD
PSK-3	PROXIMITY KEY RING TAG
PSM-2P	ISO IMAGEABLE PROXIMITY CARD
1306	PROX PATCH™
1326	PROXCARD II® CARD
1346	PROXKEY III® ACCESS DEVICE
1351	PROXPASS®
1386	ISOPROX II® CARD

<b>13.56 MHZ SMARTCARD READERS</b>	
DELTA3	FARPOINTE SMARTCARD READER
DELTA5	FARPOINTE SMARTCARD READER
DELTA5.3	FARPOINTE SMARTCARD READER
DELTA6.4	FARPOINTE SMARTCARD READER

<b>13.56 MHZ SMARTCARD CREDENTIALS</b>	
DC1-1	FARPOINTE CLAMSHELL SMARTCARD
DM1-3	FARPOINTE IMAGEABLE SMARTCARD
DE2	FARPOINTE MIFARE® DESFIRE® EV1 SMARTCARD
DK1-3	FARPOINTE KEY FOB SMARTCARD

\*Delta Proximity Readers and Credentials not evaluated by UL.







