

734 Wiegand Interface Modules: Level C

INSTALLATION AND PROGRAMMING GUIDE

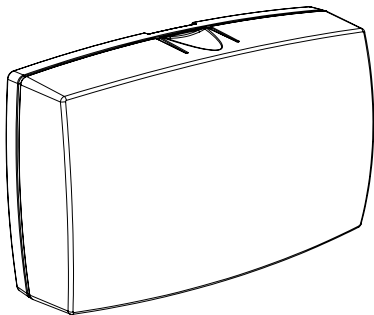


TABLE OF CONTENTS

About the 734.....	1	Program the 734.....	17
Power Supply.....	1	Program Start Display.....	17
Zone Terminals.....	1	Initialization Option.....	17
Annunciators.....	1	Initialize Confirm Option.....	18
Indicator LEDs.....	1	Activate Zone 2 Bypass.....	19
Form C Relay.....	2	Zone 2 Bypass Time.....	20
Programming Connection.....	2	Relock on Zone 2 Change.....	20
Keypad In and Out Connections.....	2	Activate Zone 3 Request to Exit.....	21
PCB Features.....	3	Zone 3 REX Strike Time.....	22
Install the 734.....	4	Activate Onboard Speaker.....	22
Mount the 734.....	4	Custom Card Definitions.....	23
Wire the Electronic Lock.....	5	Card Options.....	23
Isolation Relay.....	6	Wiegand Code Length.....	24
Install the 333 Suppressor.....	7	Site Code Position and Length.....	24
Wire the Zone Terminals.....	8	User Code Position and Length.....	25
Connect a Card Reader.....	12	Site Code.....	26
Set the 734's Address.....	14	Enter Site Code.....	27
		Number of User Code Digits.....	28
		No Communication with Panel.....	29
		Remove Keypad.....	30

Keypad Bus Wiring Specifications.....	31
Public Card Formats	33
Compliance Listing Specifications	34
UL Commercial Fire.....	34
UL Access Control.....	34
ULC Commercial Burglary (XR150/XR550 Series Panels).....	35
Certifications.....	36
Underwriters Laboratory (UL Listed).....	36
Product Specifications	37
Readers and Credentials	38

ABOUT THE 734

The 734 Wiegand Interface Module allows you to use the powerful built-in access control capability of DMP Panels. DMP panels provide access control, arming, and disarming using proximity, mag-stripe, biometric, or other Wiegand-output authentication devices.

Connect a 734 to a DMP panel's Keypad Bus or AX-Bus™ to use the powerful built-in access control capability of DMP panels. The 734 includes the following features:

Power Supply

The 734 operates at 12/24 VDC from the power supply supporting a door's magnetic lock or door-strike. It also provides a 10 Amp Form C relay contact for lock control.

Zone Terminals

Zones 1, 2, and 3 on the 734 can be programmed for a variety of burglary or access control applications. Zone 4 is a class B, style A circuit that may be programmed as a fire zone.

Annunciators

An onboard programmable piezo provides local annunciation at the 734. You can also connect a variety of switched ground annunciators to the 734 for remote annunciation.

Indicator LEDs

The 734 provides three indicator LEDs. The red LED turns on for the same duration as the door strike relay. The yellow LED turns on for one second to indicate receipt of a valid Wiegand input. The green LED indicates that data is being sent to the panel.

Form C Relay

The 734 Form C relay draws up to 35 mA of current. Refer to the NC/C/NO (Dry Contact Relay) and the Isolation Relay sections in this document for more information.

Programming Connection

The 734 also provides a keypad programming connection that allows you to use a standard DMP LCD keypad for initial setup. Programming can be completed using a keypad connected to the 734 or from XR150/XR550 or XR150INT/XR550INT Series panels.

Keypad In and Out Connections

The keypad in (KYPD IN) connection receives and transmits data to the panel Keypad Bus or AX-Bus.

The keypad out (KYPD OUT) connection receives and transmits data out to other keypads or modules. Install a dual connector four-position harness to allow daisy chain connection to other devices, up to the maximum number of devices supported. XR150 Series panels support up to 8 devices. XR550 Series panels support up to 16 devices. When using the AX-Buses with XR550 devices, you can have 32 doors, expandable to 96.



When the 734 is powered from 24 VDC, do not connect devices to KYPD OUT header.

PCB FEATURES

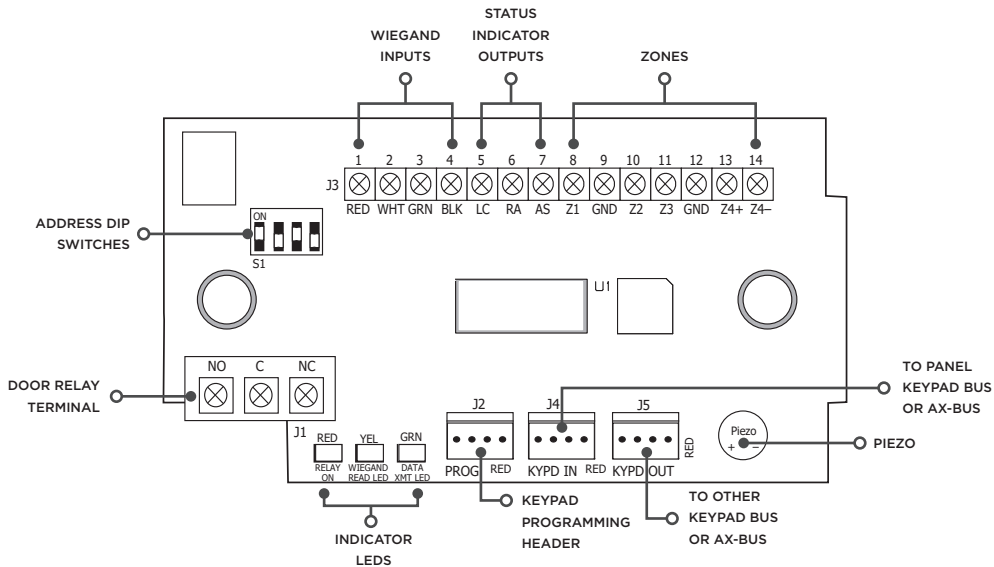


Figure 1: PCB Features

INSTALL THE 734

1 *Mount the 734*

The module comes in a high-impact plastic housing that you can mount directly to a wall, backboard, or other flat surface.

For easy installation, the back and ends of the 734 housing have wire entrances. The back also contains multiple mounting holes that allow you to mount the module on a single-gang switch box. DMP recommends mounting the 734 near the protected door. See Figure 2 for mounting hole locations on the housing base.

1. Remove the PCB from the plastic housing by loosening the clips on one side and gently lifting it out of the housing base.
2. Insert the included screws in the desired mounting hole locations and tighten them to secure the housing to the surface.
3. Reinstall the PCB in the housing base.

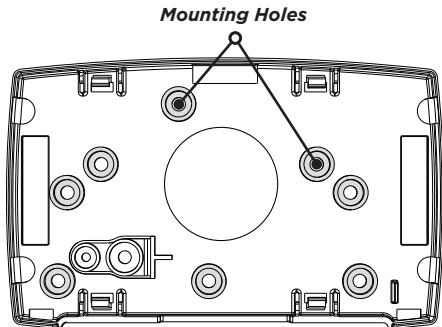


Figure 2: Mounting Hole Locations

2 Wire the Electronic Lock

The 734 provides a Form C (SPDT) relay for controlling locks and other electronically-controlled barriers. The three relay terminals marked NO C NC allow you to connect the device wiring to the relay for module control.

Use an additional power supply to power magnetic locks and door strikes. See Figures 3 and 4 for typical magnetic lock and door strike wiring.

The Form C relay draws up to 35 mA of current and contacts are rated for 10 Amps (resistive) at 12/24 VDC. When connecting multiple locks to the Form C relay, the total current for all locks cannot exceed 10 Amps. If the total current for all locks exceeds 10 Amps, problems may arise and an isolation relay may be needed. See the Isolation Relay section for information.

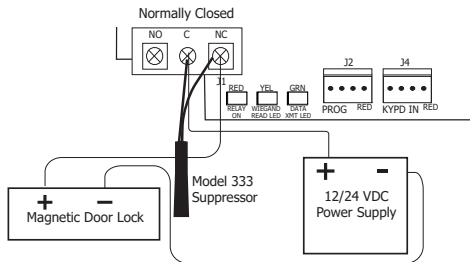


Figure 3: Typical Magnetic Lock Wiring

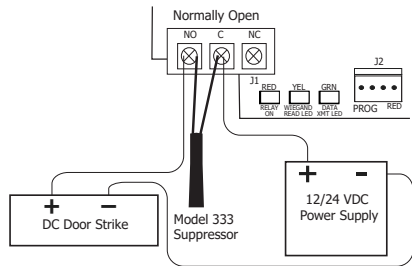


Figure 4: Typical Door Strike Wiring

3 Isolation Relay

The Form C relay can control a device that draws less than 10 Amps of current. If a device draws more than 10 Amps of current, or the sum of all devices controlled by the Form C relay exceeds 10 Amps, an isolation relay must be used. Refer to Figures 5 and 6 for isolation relay wiring.

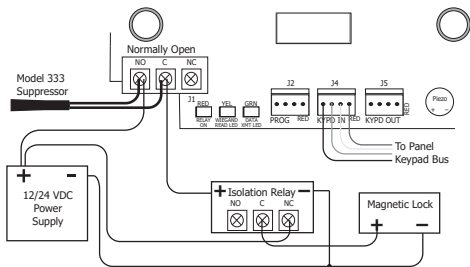


Figure 5: Magnetic Lock with an Isolation Relay

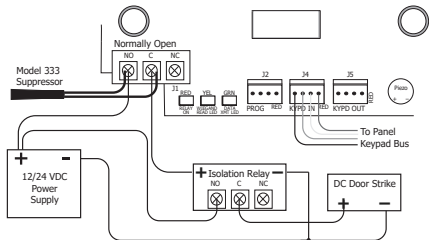


Figure 6: Door Strike with an Isolation Relay

4 Install the 333 Suppressor

Use the included 333 suppressor with the 734 to suppress any surges caused by energizing a magnetic lock or door strike.

Install the 333 across the 734 C (common) and NO (normally open) or NC (normally closed) terminals.

If the device being controlled by the relay is connected to the NO and C terminals, install the suppressor on the NO and C terminals.

Conversely, if the device is connected to the NC and C terminals, install the 333 Suppressor on NC and C terminals.

The suppressor wire is non-polarized. Install the suppressor as shown in Figure 7.

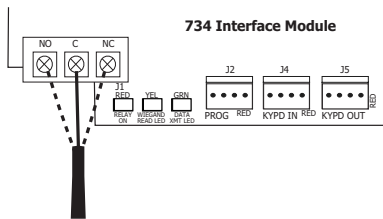


Figure 7: 333 Suppressor Installation on the 734

5 *Wire the Zone Terminals*

Terminals 8 through 12 connect grounded zones 1 through 3. These zones have a grounded side and cannot be used for fire-initiating devices. Zones 2 and 3 can also be used for access control with zone 2 providing a bypass feature and zone 3 providing request to exit functionality.

Terminals 13 and 14 connect to zone 4. Zone 4 provides a non-powered Class B ungrounded zone suitable for connection to fire devices such as heat detectors or pull stations.



Note: You must provide a mechanical means of resetting four-wire smoke detectors or other latching devices on zone 4. The panel does not drop power to the Keypad Bus or AX-Bus when a Sensor Reset is performed.

Use the supplied 311 1K Ohm End-of-Line (EOL) resistors on each zone. Refer to the panel programming guide for programming instructions. See Figure 8 and Table 1 for more information on wiring the zone terminals.

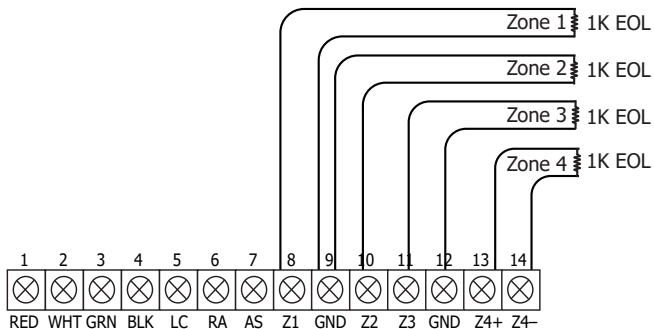


Figure 8: 734 Zone Terminal Wiring

ZONE #	RECOMMENDED DEVICE	RESIDENTIAL FIRE DEVICES?
1	Any burglary device	No
2	Door Contact	No
3	REX (PIR or Button)	No
4	Any device	Yes

Table 1: 734 Zone Uses

Auxiliary Outputs 1 & 2

The module controls Auxiliary Outputs 1 and 2 when the Activate Zone 2 Bypass programming option is enabled and the Zone 2 Bypass Time is set. When the door contact (Zone 2) is opened while the door strike is activated, the Zone 2 Bypass Time starts. If the door has not closed at the end of the timer, Aux Output 1 is turned on and the timer starts again. If the door is still open at the end of the second timer, Aux Output 2 is turned on. Aux Outputs 1 and 2 turn off when the door contact is closed. Use the Model 431 Relay Harness for connection of Output 1 and Output 2.

Annunciator Header

The 4-pin header located on the far right of the circuit board is used to wire the Armed Status, Remote Annunciation, and the Remote LED Control. The open collectors supply a ground for a maximum current of 50 mA at 30 VDC. Connect a Model 300 4-wire harness to the 4-pin header for connection of the following indicators:

AS (Armed Status)

Armed Status provides an unsupervised switched ground for a visual or audible armed status indicator that turns on when the burglary areas are armed, such as **SYSTEM ON** or **ALL SYSTEM ON**. Connect the wire from the 4-wire harness to an Armed Status output.

RA (Remote Annunciation)

Remote Annunciation provides an unsupervised switched ground for a remote annunciator that turns on when the Zone 2 Bypass timer expires. Connect the wire from the 4-wire harness to a remote annunciator. The remote annunciator silences when the RA restores. The remote annunciator (RA) switched ground operates even if the speaker is programmed not to operate.

LC (Remote LED Control)

Remote LED Control provides an unsupervised switched ground for a visual indicator that turns on when the relay activates. Connect the wire from the 4-wire harness to an LED. The LED turns on for the duration the door strike relay is on. HID readers optionally provide a connection for LED reader control.

6 *Connect a Card Reader*

The 734 provides direct 12/24 VDC, 200 mA output to the reader on the Red terminal connection. Figure 9 shows a reader with wire colors RED, WHT, GRN, and BLK connecting to terminals 1, 2, 3, and 4.

The green wire carries Data Zero (D0), and the white wire carries Data One (D1). The red wire connects 12/24 VDC, 200 mA maximum power and the black wire is ground.

The wire colors may be different depending on the reader being installed. Refer to the literature provided with the reader for wire coding, wire distance, cable type (such as shielded), and other specifications.

Card Reader LED Operation

To provide visual indication of a valid card read, the card reader can be wired to illuminate the green LED for the duration of the door strike.

Connect the orange or brown wire to LC terminal 5 to have the green LED stay on for the duration of the relay activation.

Card Reader Annunciation

Connect the yellow wire to RA terminal 6 to have the remote annunciator turn on anytime the panel instructs the 734 onboard piezo to turn on.

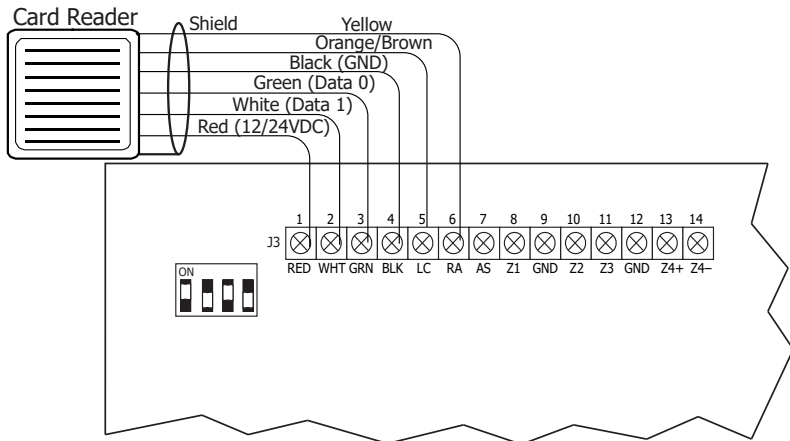


Figure 9: Card Reader Wiring

7 Set the 734 Address

To set the 734 address, move the DIP switches on the PCB to the appropriate positions. See the following sections, Figures 10 and 11, and Table 2 to determine how to set Keypad Bus or AX-Bus addresses.

Keypad Bus Addresses Explained

Each Keypad Bus address can accommodate one door output and four expansion zones.

A 734 with an address of 2 on the Keypad Bus would represent door 2 and zones 21-24. A 734 with a keypad address of 14 would represent door 14 and zones 141-144.

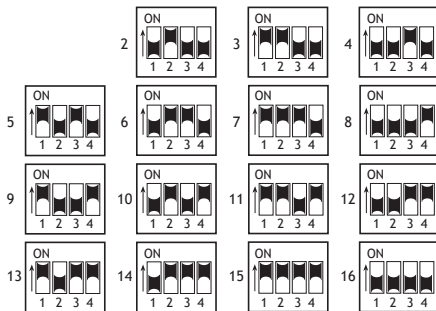


Figure 10: Keypad Bus Addresses

AX-Bus Addresses Explained

XR550 panels are capable of access control expansion using any of the five AX/LX-Bus headers (AX/LX500, 600, 700, 800, and 900). An AX-Bus address can accommodate one door output and one expansion zone. Because the 734 has a built-in four-zone expander, three extra zones will be mapped to the 734 automatically.

A 734 with an address of 1 on AX500 would represent door 501 and zones 501-504. A 734 with an address of 2 on AX500 would represent door 505 and zones 505-508. A 734 with an address of 1 on AX700 would represent door 701 and zones 701-704.



Note: Hardwired zone expanders and addressable points and modules do not communicate on an AX-Bus. AX-Bus doors do not have programmable device or communication types and do not have assignable display areas.

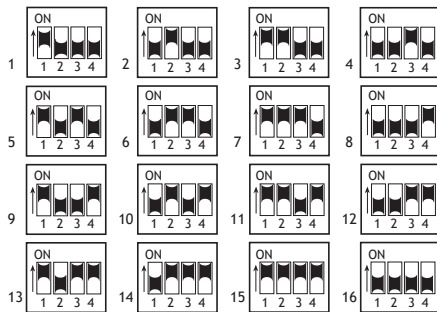


Figure 11: AX-Bus Addresses

734 Address Table

To set the 734 address, move the DIP switches to the appropriate positions. See Figures 10 and 11 for how to place the DIP switches for Keypad Bus and AX-Bus addresses.

DEVICE/ DOOR	ZONES	DEVICE/ DOOR	ZONES	DEVICE/ DOOR	ZONES	DEVICE/ DOOR	ZONES	DEVICE/ DOOR	ZONES	DEVICE/ DOOR	ZONES
1	11-14	501	501-504	601	601-604	701	701-704	801	801-804	901	901-904
2	21-24	505	505-508	605	605-608	705	705-708	805	805-808	905	905-908
3	31-34	509	509-512	609	609-612	709	709-712	809	809-812	909	909-912
4	41-44	513	513-516	613	613-616	713	713-716	813	813-816	913	913-916
5	51-54	517	517-520	617	617-620	717	717-720	817	817-820	917	917-920
6	61-64	521	521-524	621	621-624	721	721-724	821	821-824	921	921-924
7	71-74	525	525-528	625	625-628	725	725-728	825	825-828	925	925-928
8	81-84	529	529-532	629	629-632	729	729-732	829	829-832	929	929-932
9	91-94	533	533-536	633	633-636	733	733-736	833	833-836	933	933-936
10	101-104	537	537-540	637	637-640	737	737-740	837	837-840	937	937-940
11	111-114	541	541-544	641	641-644	741	741-744	841	841-844	941	941-944
12	121-124	545	545-548	645	645-648	745	745-748	845	845-848	945	945-948
13	131-134	549	549-552	649	649-652	749	749-752	849	849-852	949	949-952
14	141-144	553	553-556	653	653-656	753	753-756	853	853-856	953	953-956
15	151-154	557	557-560	657	657-660	757	757-760	857	857-860	957	957-960
16	161-164	561	561-564	661	661-664	761	761-764	861	861-864	961	961-964

Table 2: Device Addresses and 734 Zone Numbers

PROGRAM THE 734

When you program a 734, you can use a keypad connected to the 734 programming header and set to address 1. For 12 V applications, connect the keypad to the module using a Model 330 4-wire harness. For 24 V applications, connect the keypad to the module using a Model 330-24 4-wire programming harness with in-line resistor.



Do not connect a keypad using a standard Model 330 harness if using a 24 V power supply! Damage to the keypad could occur.

You can also program the 734 from an XR150/XR550 Series panel. If you choose to program the 734 from the panel, all future programming should be performed through the panel. The panel's programming overrides any programming performed from a keypad connected to the 734. While the 734 is in programming mode, it will not be able to communicate with the panel.

734 PROGRAMMING
VER VVV MM/DD/YY

Program Start Display

When you connect the keypad to the 734 module, the version number and release date display. Press **CMD** to enter the Programming Menu.

INITIALIZE ALL?
NO YES

Initialization Option

These options can set the 734 module programming memory back to factory defaults. Press any select key or area to enter the Initialization Menu.

ARE YOU SURE?
YES NO

Initialize Confirm Option

After selecting **YES** to clear the Access Options, the 734 displays **SURE? YES NO** for confirmation to clear the memory. This is a safeguard against accidentally erasing the programming. No memory is cleared from the programming until you answer **YES** to the **SURE?** option. Selecting **NO** leaves communication options unchanged.

ACTIVATE ZONE 2
BYPASS? **NO** YES

Activate Zone 2 Bypass

Select **YES** to activate the zone 2 bypass operation. Selecting **NO** allows standard zone operation on zone 2. The default is **NO**.

If the door being released by the 734 module is protected (contact installed), a programmable bypass entry/exit timer can be provided by connecting its contact wiring to the 734 module zone 2. When the onboard Form C relay activates and the user opens the door connected to zone 2, the zone is delayed for the number of seconds programmed in **ZONE 2 BYPASS TIME** allowing the user to enter/exit during an armed period.

If zone 2 does not restore (door closed) within the programmed time, the piezo sounds every other second during the last ten seconds. If zone 2 restores prior to the end of the programmed time, the piezo silences. If the zone does not restore before the programmed time, the 734 ends the bypass and indicates the open or short zone condition to the panel.

ZONE 2 BYPASS
TIME:

40

Zone 2 Bypass Time

Enter the number of seconds to elapse before the bypass timer expires. The range is 20-250 seconds. Press any select key or area to enter the number of seconds. The default is **40** seconds. Figure 12 shows how the bypass option works.

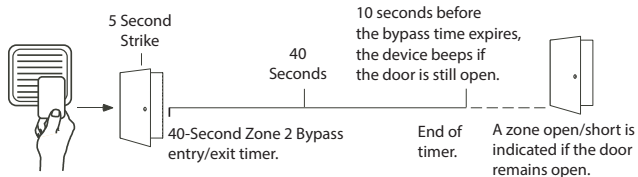


Figure 12: Zone 2 Bypass Timeline

RELOCK ON ZONE 2
CHANGE? **NO** YES

Relock on Zone 2 Change

Selecting **YES** turns the relay off when zone 2 changes state. Selecting **NO** leaves the relay on when zone 2 changes state. Turning off the relay at Door Closed allows a long strike time to be automatically ended and relocks the door. The default is **NO**.

ACTIVATE ZONE 3
REX? **NO** YES

Activate Zone 3 Request to Exit

Selecting **YES** activates the zone 3 Request to Exit (REX) option. Selecting **NO** allows standard zone operation on zone 3. Default setting is **NO**.

Connect a motion sensing device or a mechanical switch to zone 3 to provide REX capability to the system.

When zone 3 shorts, the onboard Form C relay activates for the programmed number of seconds. See Zone 3 REX Strike Time. During this time, the user can open the protected door to start the programmed zone 2 bypass entry/exit timer. After the programmed number of seconds, the relay restores the door to its locked state.

The 734 module provides a bypass-only option for REX on zone 3. When zone 3 OPENS from a NORMAL state, only a bypass occurs: the onboard relay does not activate. This bypass-only option uses two methods of REX.

The first REX device provides the programmed bypass entry/exit timer. The second REX unlocks the door.

ZN 3 REX STRIKE
TIME: **5**

Zone 3 REX Strike Time

Enter the number of REX seconds to elapse. The range is 5 to 250 seconds. Press any select key or area to enter the number of seconds. The default is **5** seconds.

ACTIVATE ONBOARD
SPEAKER? **NO** YES

Activate Onboard Speaker

Select **YES** to enable the onboard piezo for local annunciation, such as alarm and trouble annunciations. Select **NO** to turn the speaker off for all operations. This does not affect remote annunciator open collector (RA) operation. The default is **NO**.

CUSTOM CARD DEFINITIONS

CARD OPTIONS:
DMP

Card Options

Notice: If you see CARD FORMATS, refer to LT-0737.

Access cards contain a site code, user code, and start/stop/parity bits. See Figure 13. The starting position location and code length must be determined and programmed into the 734N Module. Select **DMP** to indicate the reader sends a 26-45 bit data string. Press the first select key or area under **DMP** to select it. Default is **DMP**.

CARD OPTIONS:
DMP CUSTOM ANY

Select **CUSTOM** if using a non-DMP card.

Select **ANY** to allow all card reads to activate the door strike relay. The door strike relay is activated for the length of time programmed in **ZN 3 REX TIME**. No user code information is sent to the panel.

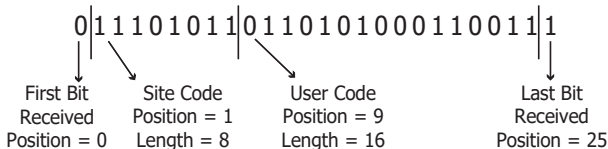


Note: When set to DMP, the 734N converts 17 bits of the 26 to 45-bit data string into a 5-digit number.

WIEGAND CODE
LENGTH: **26**

Wiegand Code Length

When using a custom credential, enter the total number of bits to be received in Wiegand code including parity bits. Press any select key or area to enter a number between 1-255 to equal the number of bits. Default is **26** bits.



In this example the Wiegand Code Length = 26 bits.

Figure 13: Wiegand Data Stream Bit Location

SITE CODE
POS: **1** LEN: **8**

Site Code Position and Length

Enter the site code start position and length in the data string. Press select area 2 to clear the site code start position and enter a number between 0-255. Press **CMD** to save. Default is **1**.

Press select area 4 to clear the site code length and enter a number between 1-16. Press **CMD** to save. Default is **8**.

USER CODE

POS: **9**

LEN: **16**

User Code Position and Length

Define the user code start bit position and length. Press select area 2 to clear the user code position and enter a number between 0-255. Press **CMD** to save. Default is **9**.

Press select area 4 to clear the user code length and enter a number between 16-40. Press **CMD** to save. The default is the DMP value of **16**.

REQUIRE SITE CODE: NO YES

REQUIRE SITE CODE

Press the select key or area under **YES** to use a site code and press **CMD** to view the site code entry display. Press **NO** to advance to **NO OF USER CODE DIGITS**. Default is **NO**.

In addition to user code verification, door access is only granted when any one site code programmed at the **SITE CODE ENTRY** option matches the site code received in the Wiegand string.

127	---	---	---
---	---	---	---

Site Code

You can program up to eight three-digit site codes. The site code range is 0-999. Any previously programmed site codes display. Dashes represent blank site codes and indicate where digits display on the keypad. The default for site code 1 is **127** for DMP.

Press the first select key or area to display the ► character next to site code 1. Press the first select key or area again to move vertically between site codes. Press the second select key or area to move horizontally between site codes. When you have selected the site code you want to change, press **CMD**.

ENTER SITE CODE
127 ___ ___ DEL

Enter Site Code

Press the first select key or area to enter a site code number. Enter your three-digit site code and press **CMD** to advance.



Note: A card with a site code greater than three digits cannot be used. Use only cards with three-digit site codes.

Press the fourth select key or area to delete the site code number displayed and return to the site code display. Repeat these steps to change, delete, or add other site codes.

NO OF USER CODE
DIGITS: **5**

Number of User Code Digits

The 734 module recognizes user codes from 4-12 digits long. Press any select key or area to enter a user code digit length. This number must match the user code number length being programmed in the panel. Default is **5**.

All bits are read and converted into a decimal number string. The number string is left padded with 0 (zero) if needed for long user code lengths. When selecting 4 the right digit is dropped and the next four sent.

Example:	# decoded	1234567
	10 digits	0001234567
	5 digits	34567
	4 digits	3456

NO COMM WITH PNL
OFF SITE ANY ON

No Communication with Panel

Define the relay action when communication with the panel has not occurred for 5 seconds. Default is **OFF**. Press any select key or area to change the default relay action:

Press the first select key or area to choose **OFF** (Relay Always Off). The relay does not turn on when any Wiegand string is received. **OFF** does not affect any REX operation. If communication is lost during a door strike, the relay remains on for the door strike duration but turns off at the end of the door strike timer.

Press the second select key or area to choose **SITE** (Accept Site Code). Door access is granted when the Wiegand site code string received matches any site code programmed at **SITE CODE DISPLAY**. Refer to **REQUIRE SITE CODE** for more information.

Press the third select key or area to choose **ANY** (Any Wiegand Read). Access is granted when any Wiegand string is received.

Press the fourth select key or area to choose **ON** (Relay Always On). The relay is always on.

Press **CMD** to display the next action.

NO COMM WITH PNL
LAST

Press the first select key or area to choose **LAST** (Keep Last State) – The relay remains in the same state and does not change when communication is lost.

REMOVE KEYPAD

Remove Keypad

The **REMOVE KEYPAD** option continually displays with no time out while the keypad remains connected to the 734N module after programming is finished. After five seconds, the 734N module piezo continually sounds if the keypad remains connected and programming is finished. Remove the keypad harness to disconnect the keypad from the 734N module and silence the alarm.

KEYPAD BUS WIRING SPECIFICATIONS

Refer to the following Keypad Bus/AX-Bus/LX-Bus wiring specifications.

- DMP recommends using 18 or 22-gauge unshielded wire for all keypad and AX-Bus/LX-Bus circuits. Do not use twisted pair or shielded wire for AX-Bus/LX-Bus and Keypad Bus data circuits. All 22-gauge wire must be connected to a power-limited circuit and jacket wrapped.
- On Keypad Bus circuits, to maintain auxiliary power integrity when using 22-gauge wire do not exceed 500 feet. When using 18-gauge wire do not exceed 1,000 feet. To increase the wire length or to add devices, install an additional power supply that is listed for Fire Protective Signaling, power limited, and regulated (12/24 VDC nominal) with battery backup.



Note: Each panel allows a specific number of supervised keypads. Add additional keypads in the unsupervised mode.

- Maximum distance for any one bus circuit (length of wire) is 2,500 feet regardless of the wire gauge. This distance can be in the form of one long wire run or multiple branches with all wiring totaling no more than 2,500 feet. As wire distance from the panel increases, DC voltage on the wire decreases. Maximum number of AX-Bus/LX-Bus devices per 2,500 feet circuit is 40 devices.
- Maximum voltage drop between the panel (or auxiliary power supply) and any device is 2.0 VDC. If the voltage at any device is less than the required level, add an auxiliary power supply at the end of the circuit. When voltage is too low, the devices cannot operate properly.

For additional information refer to the panel's Installation Guide, 710 Installation Sheet (LT-0310), or the LX-Bus/Keypad Bus Wiring Application Note (LT-2031).

PUBLIC CARD FORMATS

CARD FORMAT	WIEGAND CODE LENGTH	SITE CODE POSITION	SITE CODE LENGTH	USER CODE POSITION	USER CODE LENGTH	USER CODE DIGITS
H10301 26 BIT	26	1	8	9	16	5
H10302 37 BIT W/FAC	37	1	16	17	19	6
H10304 37 BIT W/O FAC	37	0	0	1	35	12
FARPOINTE 39 BIT	39	1	17	18	20	7
CORPORATE 1000 35 BIT	35	2	12	14	20	6
CORPORATE 1000 48 BIT	48	2	22	24	23	7

COMPLIANCE LISTING SPECIFICATIONS

UL Commercial Fire

The 734 Interface Module must be used in conjunction with at least one DMP 630F keypad.

Any Auxiliary Power Supplies must be regulated, power limited, and listed for Fire Protective Signaling Service.

UL Access Control

The access relay must be configured as fail-safe or fail-secure as determined by the local Authority Having Jurisdiction (AHJ). This system is not intended to be used in place of listed panic hardware.

The power supply must be a listed commercial burglary/household fire, power limited, Class 2 with a compatible voltage range for the product. The 734 requires a 12 or 24 VDC power source.

ULC Commercial Burglary (XR150/XR550 Series Panels)

When using the zones of the 734 in a listed application, place the module in a listed enclosure and connect a DMP Model 307 Clip-on Tamper Switch to the enclosure programmed as a 24-Hour zone.

The 734 Access Control features have not been investigated by ULC.

The 734 zones can be used in a Low Risk application. For Medium or High Risk applications, refer to the Dual Zone Protection diagram in the XR150/XR550 Canadian installation guide.

CERTIFICATIONS

FCC Part 15

California State Fire Marshal (CSFM)

New York City (FDNY COA #6167)

Underwriters Laboratory (UL Listed)

ANSI/UL 294	Access Control System Units
ANSI/UL 365	Police Connected Burglar
ANSI/UL 609	Local Burglar Alarm Units And Systems
ANSI/UL 1076	Proprietary Burglar Alarm Units And Systems
ANSI/UL 1023	Household Burglar-Alarm System Units
ANSI/UL 1610	Central Station Burglar-Alarm Units
ANSI/UL 864	Fire Protective Signaling
ANSI/UL 985	Household Fire-warning
ULC S304	Central And Monitoring Station Burglar Alarm
ULC/ORD-C1076	Proprietary Burglar
ULC Subject-C1023	Household Burglar
ULC S545	Household Fire

PRODUCT SPECIFICATIONS

Primary Power	8.5 VDC to 28.5 VDC
Current Draw	
Standby	240 mA (Includes 200 mA for proximity reader)
Alarm	260 mA (Includes 200 mA for proximity reader)
Form C Relay	35 mA at 12/24 VDC
Zones	5 VDC, 2 mA max
Dimensions	4.5 W x 2.75 H x 1.75 D in 11.43 W x 7 H x 4.45 D cm
Weight	5.6 oz 0.16 kg

READERS AND CREDENTIALS

125 KHZ PROXIMITY READERS	
P-300	CASCADE PROXIMITY READER
P-500	ALPS PROXIMITY READER
P-640	PATAGONIA PROXIMITY READER WITH KEYPAD
MP-5365	MINIPROX™ PROXIMITY READER
MX-5375	MAXIPROX® PROXIMITY READER
PP-6005B	PROXPOINT® PLUS PROXIMITY READER
PP-5355	PROXPRO PROXIMITY READER WITH KEYPAD
PR-5455	PROXPRO® II PROXIMITY READER
TL-5395	THINLINE II® PROXIMITY READER

125 KHZ PROXIMITY CREDENTIALS	
PSC-1	STANDARD LIGHT PROXIMITY CARD
PSK-3	PROXIMITY KEY RING TAG
PSM-2P	ISO IMAGEABLE PROXIMITY CARD
1306	PROX PATCH™
1326	PROXCARD II® CARD
1346	PROXKEY III® ACCESS DEVICE
1351	PROXPASS®
1386	ISOPROX II® CARD

13.56 MHZ SMARTCARD READERS	
DELTA3	FARPOINTE SMARTCARD READER
DELTA5	FARPOINTE SMARTCARD READER
DELTA5.3	FARPOINTE SMARTCARD READER
DELTA6.4	FARPOINTE SMARTCARD READER

13.56 MHZ SMARTCARD CREDENTIALS	
DC1-1	FARPOINTE CLAMSHELL SMARTCARD
DM1-3	FARPOINTE IMAGEABLE SMARTCARD
DE2	FARPOINTE MIFARE® DESFIRE® EV1 SMARTCARD
DK1-3	FARPOINTE KEY FOB SMARTCARD

*Delta Proximity Readers and Credentials not evaluated by UL.

