

1139 Bill Trap Transmitter

Description

The 1139 Bill Trap is a wireless transmitter designed to provide a silent alarm in retail and banking cash drawers by trapping one bill below a stack of bills. When the trapped bill is removed, a panic alarm is sent. To reduce the possibility of a false alarm, a delay can be programmed to provide time to replace the bill should it be accidentally removed.

Compatibility

All DMP 1100 Series Wireless Receivers and Panels

Included Components

- One Bill Trap with DMP wireless transmitter installed
- Two CR2450 3.0V lithium coin cell batteries
- Velcro mounting strip

Transmitter Serial Number

For your convenience, an additional pre-printed serial number label is included. Record the serial number or place the pre-printed serial number label on the panel programming sheet. This number is required during programming. As needed, use the zone name and number label to identify a specific transmitter.

Programming the Bill Trap in the Panel

Refer to the panel programming guide as needed. Program the device as a zone in **Zone Information** during panel programming. At the Serial Number prompt, enter the eight-digit serial number. Continue to program the zone as directed in the panel programming guide.

Note: When a receiver is installed, powered up, or the panel is reset, the supervision time for transmitters is reset. If the receiver has been powered down for more than one hour, wireless transmitters may take up to an additional hour to send a supervision message unless tripped or powered up. This operation extends battery life for transmitters. A missing message may display on the keypad until the transmitter sends a supervision message.

Application Example

When using an 1139 Bill Trap, program the zone as a Panic type zone. XR150/XR550 Series and XR100/XR500 Series panels provide a Retard Delay that can be programmed on Panic type zones. In System Options set a Retard Delay time from 1 to 250 seconds. This provides time to replace an accidentally removed bill and avoid a false alarm. Also, an output can be assigned to the zone with the action set to Follow. When connected to a preprogrammed DVR and camera, and the panic zone is tripped, the camera can increase the frame speed.

Selecting the Proper Location (LED Survey Operation)

Note: Refer to Figure 2 to remove the 1139 housing base and Figure 3 for the 1139 PCB LED location.

The 1139 Bill Trap provides a survey capability to allow one person to confirm transmitter communication with the receiver while the cover is removed. The 1139 Bill Trap PCB Red Survey LED turns on whenever data is sent to the receiver then immediately turns off when the receiver acknowledgement is received. Inserting and removing a piece of paper or a bill is a convenient way to send data to the receiver to confirm operation. When the paper or bill is inserted, the LED blinks once to indicate proper operation. When the transmitter does not receive an acknowledgement from the receiver the LED remains on for about 8 seconds or flashes multiple times in quick succession to let you know communication is not established. Relocate the transmitter or receiver until the LED immediately turns off indicating the transmitter and receiver are communicating properly. Proper communication between the transmitter and receiver is verified when for each insertion and removal, the LED blinks immediately on and immediately off. Repeat this test to confirm five separate consecutive LED blinks. Any indication otherwise means proper communication has not been established.

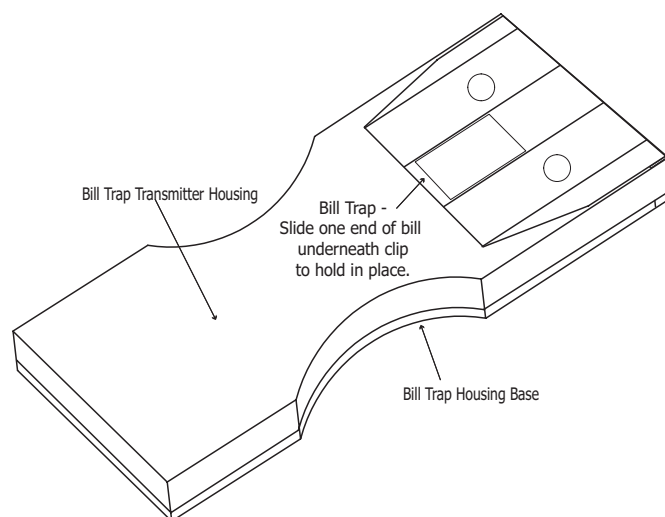


Figure 1: 1139 Bill Trap

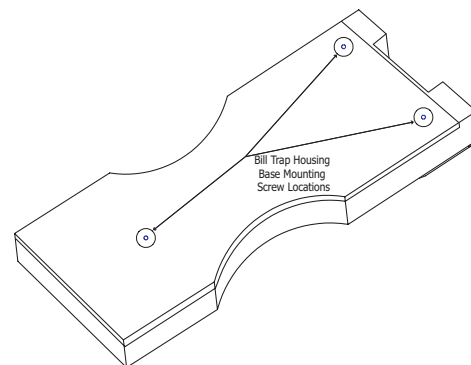


Figure 2: Bill Trap Base and Mounting Screw Locations

Installing the Bill Trap

Slide a bill into the Bill Trap on the 1139 as shown in Figure 1. The 1139 Bill Trap unit easily slides into a bill slot of a cash drawer. Place additional bills above the trapped bill for standard cash drawer operation.

Installing or Replacing the Battery

Observe polarity when installing the battery. Use only 3.0V lithium batteries, DMP Model CR2450, or a Sony CR2450 battery from a local retail outlet.

Note: When setting up a wireless system, it is recommended to program zones and connect the receiver before installing batteries in the transmitters.

To install or replace batteries or view the LED flash:

1. Use a Phillips screwdriver to remove the three screws holding the base and housing together. See Figure 2.
2. Gently lift the PCB out of the housing.
3. If installed, push and slide each old battery out of the holder in the direction of the arrow to remove it. See Figure 3.
4. Verify the positive side of the new battery is up.
5. Slide each new 3.0V lithium battery into its holder and push into place.
6. Gently slide the PCB back into the housing making sure the lever alarm switch is in position to activate. See Figure 4.
7. Use a Phillips screwdriver to replace the base onto the housing.
8. Slide the bill trap back into the cash drawer.

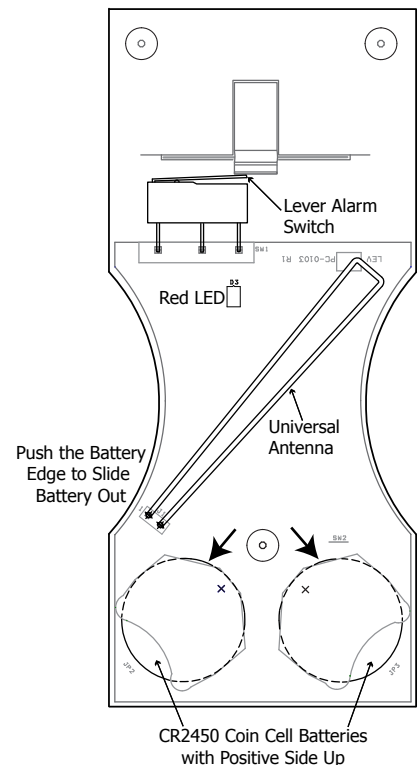


Figure 3: Bill Trap Battery Locations



Caution: Properly dispose of used batteries. Do not recharge, disassemble, heat above 212°F (100°C), or incinerate. Risk of fire, explosion, and burns.

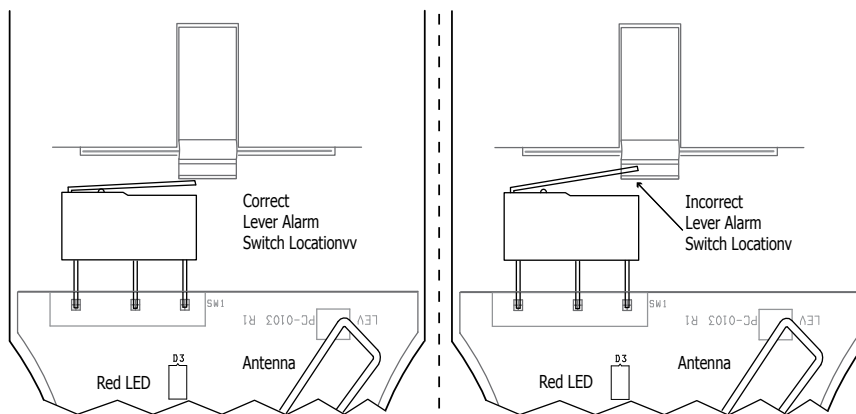


Figure 4: Lever Alarm Switch Location Detail

Battery Life Expectancy

Typical battery life expectancy for DMP Model 1139 Bill Trap is 1 year. DMP wireless equipment uses two-way communication to extend battery life.

The following situations can reduce battery life expectancy:

- If a receiver is unplugged, too far away, or not installed.
Note: Transmitters continue to send supervision messages until a receiver returns an acknowledgement.
- Frequent transmissions, such as constant removing and replacing the trapped bill.
- When installed in extreme hot or cold environments.

The following situation can extend battery life expectancy:

- Extend transmitter supervision time in panel programming.
- Infrequent transmission trips.

FCC Information

This device complies with Part 15 of the FCC Rules. Operation is subject to the following two conditions:

- (1) This device may not cause harmful interference, and
- (2) this device must accept any interference received, including interference that may cause undesired operation.

The antenna used for this transmitter must be installed to provide a separation distance of at least 20 cm from all persons. It must not be co-located or operated in conjunction with any other antenna or transmitter.

Changes or modifications made by the user and not expressly approved by the party responsible for compliance could void the user's authority to operate the equipment.

Note: This equipment has been tested and found to comply with the limits for a Class B digital device, pursuant to part 15 of the FCC Rules. These limits are designed to provide reasonable protection against harmful interference in a residential installation. This equipment generates, uses and can radiate radio frequency energy and, if not installed and used in accordance with the instructions, may cause harmful interference to radio communications. However, there is no guarantee that interference will not occur in a particular installation. If this equipment does cause harmful interference to radio or television reception, which can be determined by turning the equipment off and on, the user is encouraged to try to correct the interference by one or more of the following measures:

- Reorient or relocate the receiving antenna.
- Increase the separation between the equipment and receiver.
- Connect the equipment into an outlet on a circuit different from that to which the receiver is connected.
- Consult the dealer or an experienced radio/TV technician for help.

Specifications

Battery

Life Expectancy 1 year using 2 batteries

Type 3.0V lithium CR2450

See Battery Life Expectancy for details.

Transmit condition Alarm

Dimensions 5.375" H x 2.625" W x .625" D

Color Ivory

Housing material Flame retardant ABS

Patents

U. S. Patent No. 7,239,236

Compatibility

1100D Wireless Receivers

1100DH Wireless High Power Receivers

1100DI Wireless In-line Receivers

1100X Wireless Receivers

1100XH Wireless High Power Receivers

XTLC Panels with an integrated wireless receiver

XTLN Panels with an integrated wireless receiver

XT50 Series Panels with an integrated wireless receiver

XTLplus Series Panels

Certifications

FCC Part 15 Registration ID CCKPC0103



800-641-4282

www.dmp.com

Designed, Engineered and
Assembled in U.S.A.

INTRUSION • FIRE • ACCESS • NETWORKS

2500 North Partnership Boulevard

Springfield, Missouri 65803-8877

