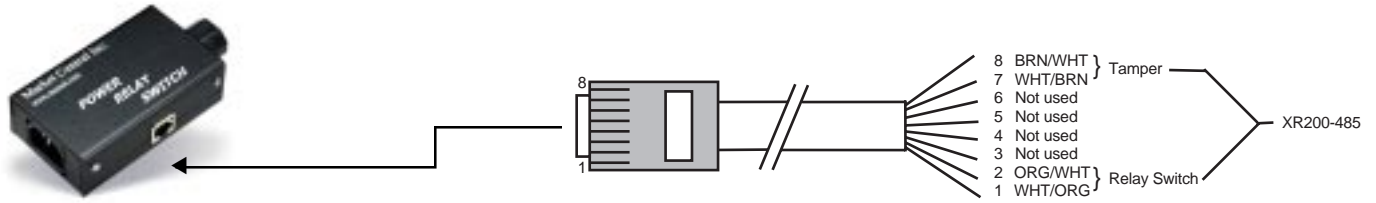


INSTALLATION

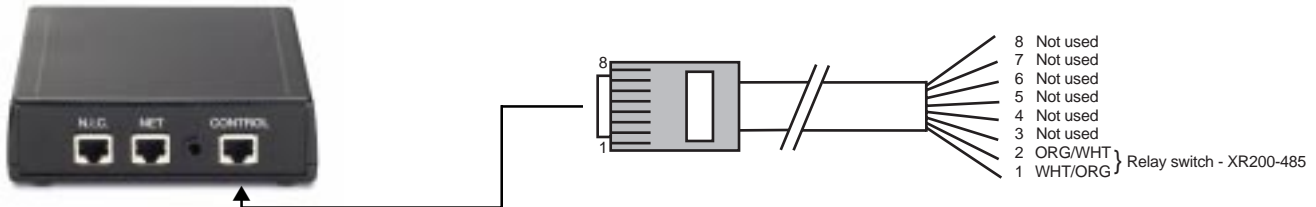
SecureSwitch™ Computer Intrusion Control

Description

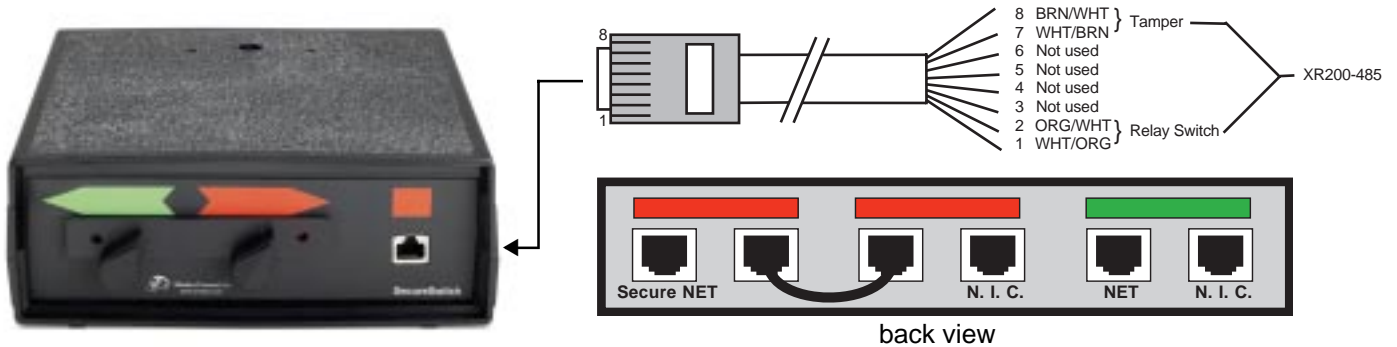
The DMP SecureSwitch™ allows a DMP XR200-485 Command Processor™ panel to control physical access to computers and data networks. SecureSwitch incorporates a tamper supervised relay switch that provides power to the computer or connects a data network only after an authorized user presents a card to a reader and it is verified. Presenting a card again turns off the computer or disconnects the data network from the computer's network interface card (N. I. C.).



SecureSwitch™ PR - Allows tamper supervised control of 120VAC power to computer.



SecureSwitch™ SP - Access control to a single data network connection for the computer (not tamper supervised).



SecureSwitch™ DR - Allows tamper supervised switching between two data networks available to the computer, one secure and one non-secure. Also requires manual operation to complete switch.

Power Requirements

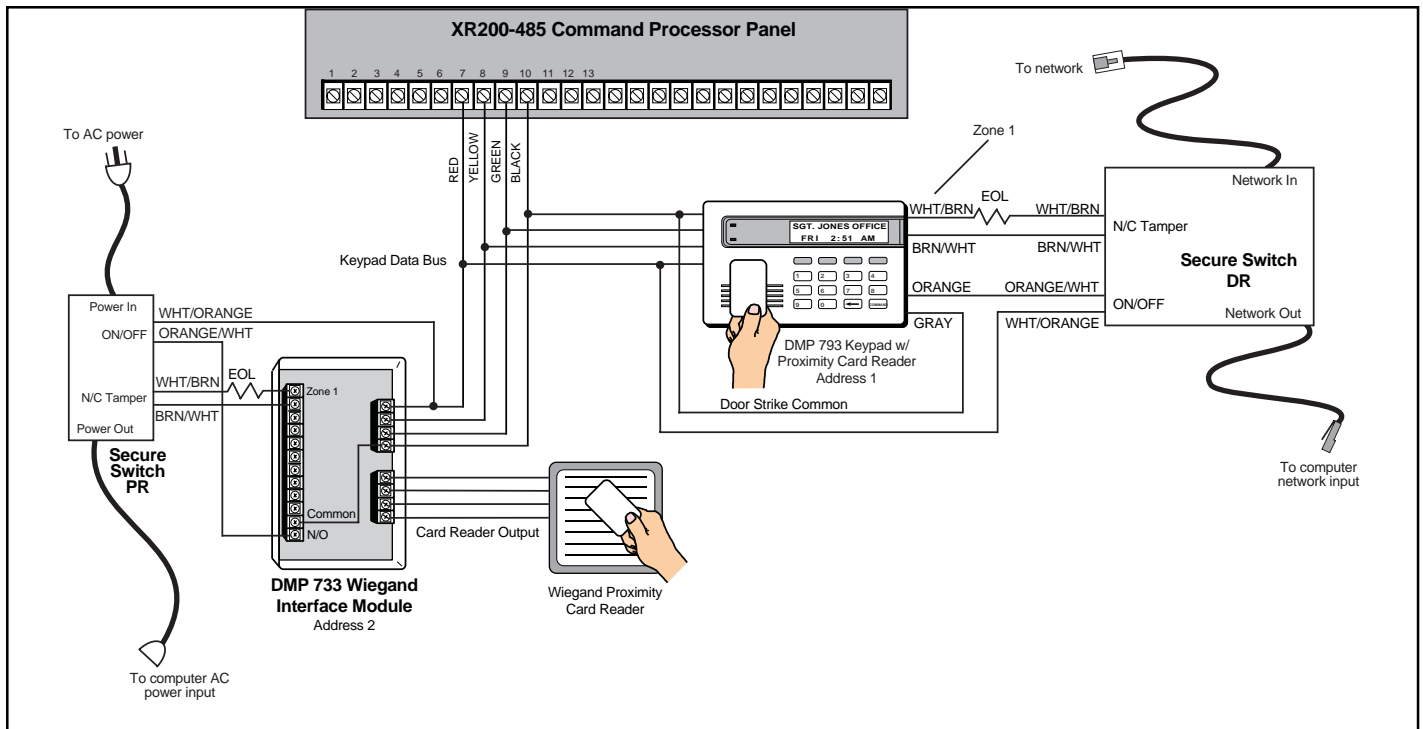
SecureSwitch relay activation: 50mA @ 12 VDC

Installation

This document provides specific wiring and programming instructions for the installation of one SecureSwitch PR and one SecureSwitch DR to a computer(s) and is provided to inform and train the installer of proper operation and programming. The installer should realize that this is not the only possible combination of wiring and programming that will provide proper operation. For example, zones used for supervision may be from other available Keypad or LX-Bus devices. Also, specific user numbers may be different.

In an application that requires one power and one data switch per computer, eight computers is the maximum that can be controlled from one XR200-485. The following figures and tables illustrate the installation of SecureSwitches for one, four, and eight computers.

SecureSwitch Wiring for One Computer



Panel Programming for One Computer

When programming the XR200-485 panel for use with the Secure Switch, access the Programming Menu and follow the setup instructions below. Refer to the XR200-485 Programming Guide (LT-0466) for more programming information.

DEVICES SETUP								
Device Number	Partition Number	Device Name	Access Areas	Egress Areas	Strike Time	Fire Exit	Out Group	Override
1 (Std)	1	Cmp 1 Network Sw	1	Blank	0 (Toggle)	No	No	No
2 (Std)	1	Cmp 1 Power Sw	2	Blank	0 (Toggle)	No	No	No

AREA INFORMATION								
Partition Number	Area Number	Area Name	Account Number	Auto Arm	Auto Disarm	Armed Output	Late Output	Common Area
1	1	Cmp 1 Network Sw	No Change	No	No	0	0	No
1	2	Cmp 1 Power Sw	No Change	No	No	0	0	No

ZONE INFORMATION					
Zone Number	Zone Name	Zone Type	Partition	Fire Bell Out	Alarm Action
11	Cmp 1 Net Tamper	SV	1	0	No Changes
21	Cmp 1 Pwr Tamper	SV	1	0	No Changes

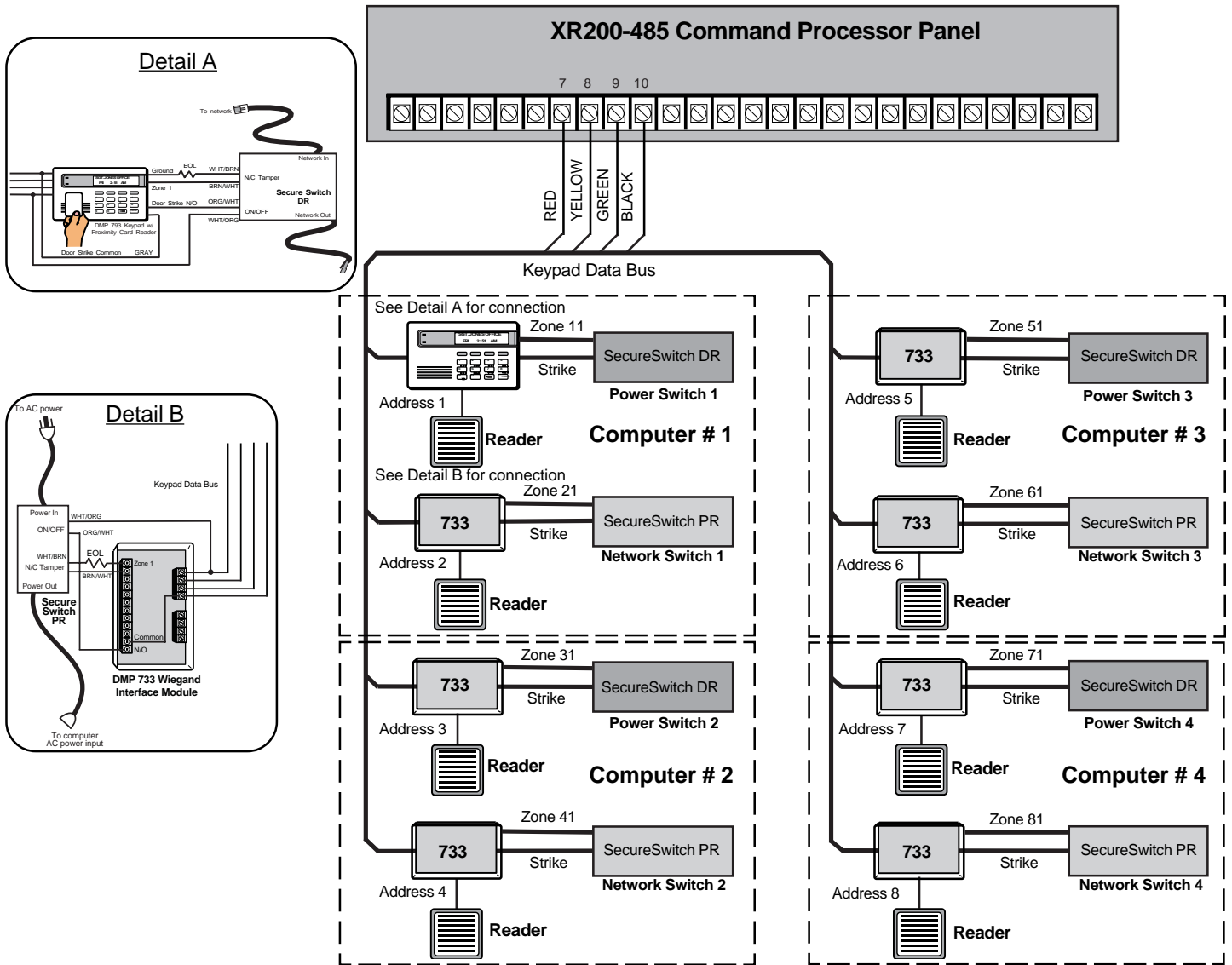
User Code Programming for One Computer

After completing the XR200-485 programming, access the User Menu and follow the setup instructions below. Refer to the XR200-485 User's Guide (LT-0364) for more information.

USER PROFILES					
Profile Number	Profile Name	Access	Arm / Disarm	Door Access	Allow
1	Cmp 1 Network Sw	1	No	Yes	Any
2	Cmp 1 Power Sw	2	No	Yes	Any

USER CODES			
User Number	User Code Number	User Name	Profile Number
11	Enter User Code (Pin)	Enter user name	1
12	Enter User Code (Pin)	Enter user name	2

SecureSwitch Wiring for Four Computers



Panel Programming for Four Computers

DEVICE SETUP								
Device Number	Partition Number	Device Name	Access Areas	Egress Areas	Strike Time	Fire Exit	Out Group	Override
1 (Std)	1	Cmp 1 Network Sw	1	Blank	0 (Toggle)	No	No	No
2 (Std)	1	Cmp 1 Power Sw	2	Blank	0 (Toggle)	No	No	No
3 (Std)	1	Cmp 2 Network Sw	3	Blank	0 (Toggle)	No	No	No
4 (Std)	1	Cmp 2 Power Sw	4	Blank	0 (Toggle)	No	No	No
5 (Std)	1	Cmp 3 Network Sw	5	Blank	0 (Toggle)	No	No	No
6 (Std)	1	Cmp 3 Power Sw	6	Blank	0 (Toggle)	No	No	No
7 (Std)	1	Cmp 4 Network Sw	7	Blank	0 (Toggle)	No	No	No
8 (Std)	1	Cmp 4 Power Sw	8	Blank	0 (Toggle)	No	No	No

AREA INFORMATION								
Partition Number	Area Number	Area Name	Account Number	Auto Arm	Auto Disarm	Armed Output	Late Output	Common Area
1	1	Cmp 1 Network	No Change	No	No	0	0	No
1	2	Cmp 1 Power	No Change	No	No	0	0	No
1	3	Cmp 2 Network	No Change	No	No	0	0	No
1	4	Cmp 2 Power	No Change	No	No	0	0	No
1	5	Cmp 3 Network	No Change	No	No	0	0	No
1	6	Cmp 3 Power	No Change	No	No	0	0	No
1	7	Cmp 4 Network	No Change	No	No	0	0	No
1	8	Cmp 4 Power	No Change	No	No	0	0	No

Panel Programming for Four Computers (continued)

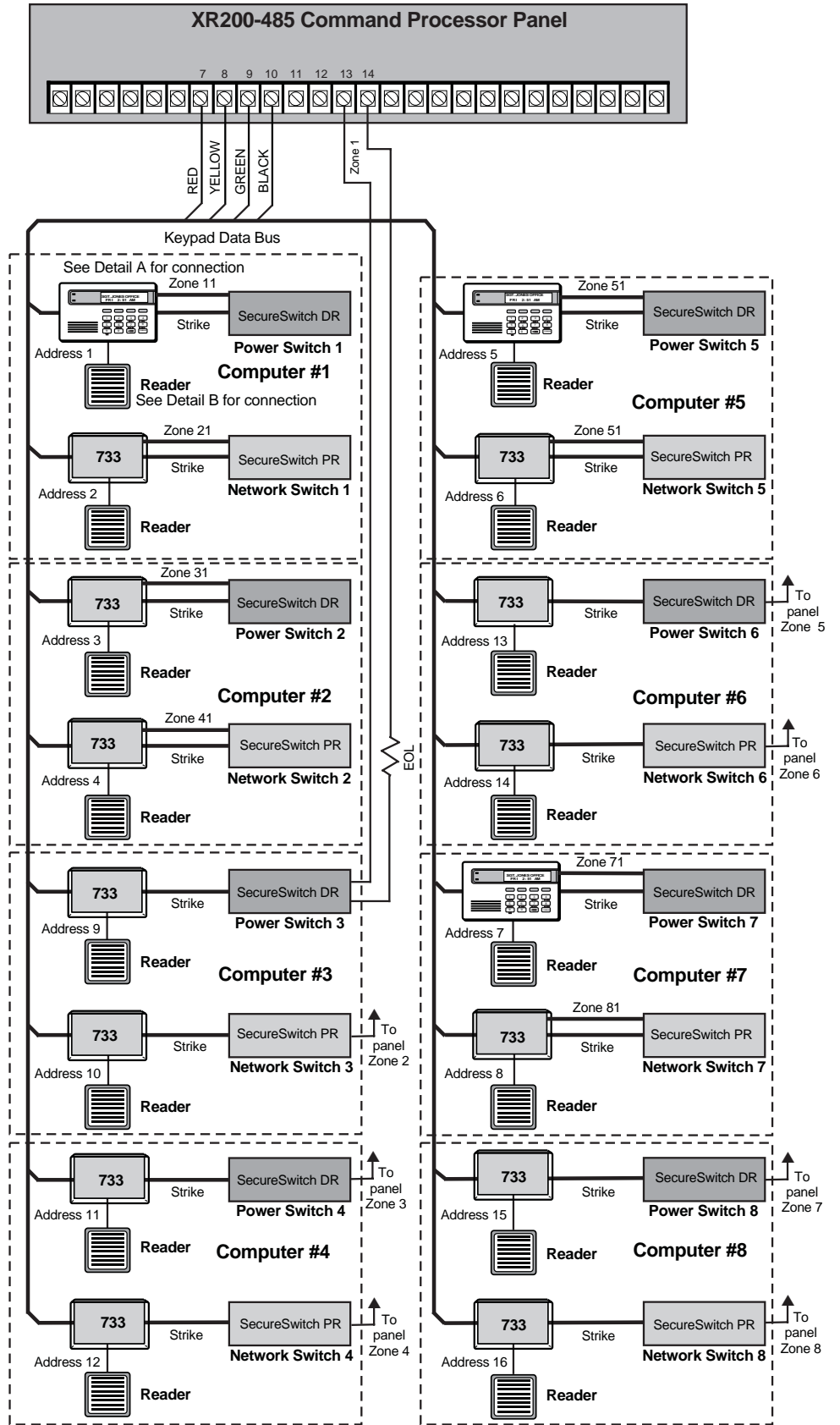
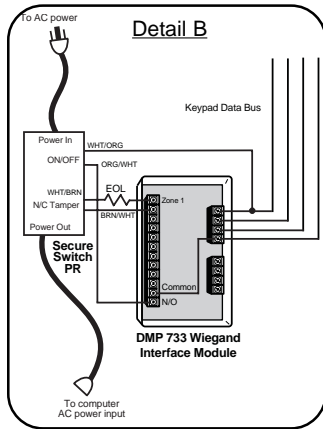
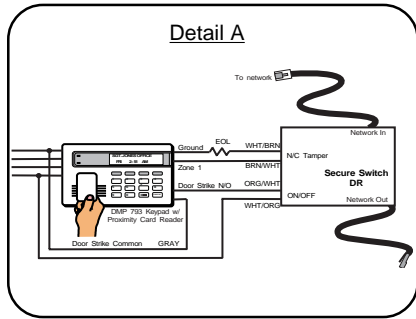
ZONE INFORMATION					
Zone Number	Zone Name	Zone Type	Partition	Fire Bell Out	Alarm Action
11	Cmp 1 Net Tamper	SV	1	0	No Changes
21	Cmp 1 Pwr Tamper	SV	1	0	No Changes
31	Cmp 2 Net Tamper	SV	1	0	No Changes
41	Cmp 2 Pwr Tamper	SV	1	0	No Changes
51	Cmp 3 Net Tamper	SV	1	0	No Changes
61	Cmp 3 Pwr Tamper	SV	1	0	No Changes
71	Cmp 4 Net Tamper	SV	1	0	No Changes
81	Cmp 4 Pwr Tamper	SV	1	0	No Changes

User Code Programming for Four Computers

USER PROFILES					
Profile Number	Profile Name	Access	Arm / Disarm	Door Access	Allow
1	Cmp 1 Network	1	No	Yes	Any
2	Cmp 1 Power	2	No	Yes	Any
3	Cmp 2 Network	3	No	Yes	Any
4	Cmp 2 Power	4	No	Yes	Any
5	Cmp 3 Network	5	No	Yes	Any
6	Cmp 3 Power	6	No	Yes	Any
7	Cmp 4 Network	7	No	Yes	Any
8	Cmp 4 Power	8	No	Yes	Any

USER CODES			
User Number	User Code Number	User Name	Profile Number
11	Enter User Code (Pin)	Enter User Name	1
12	Enter User Code (Pin)	Enter User Name	2
13	Enter User Code (Pin)	Enter User Name	3
14	Enter User Code (Pin)	Enter User Name	4
15	Enter User Code (Pin)	Enter User Name	5
16	Enter User Code (Pin)	Enter User Name	6
17	Enter User Code (Pin)	Enter User Name	7
18	Enter User Code (Pin)	Enter User Name	8

SecureSwitch Wiring for Eight Computers



Panel Programming for Eight Computers

DEVICE SETUP								
Device Number	Partition Number	Device Name	Access Areas	Egress Areas	Strike Time	Fire Exit	Out Group	Override
1 (Std)	1	Cmp 1 Network Sw	1	Blank	0 (Toggle)	No	No	No
2 (Std)	1	Cmp 1 Power Sw	2	Blank	0 (Toggle)	No	No	No
3 (Std)	1	Cmp 2 Network Sw	3	Blank	0 (Toggle)	No	No	No
4 (Std)	1	Cmp 2 Power Sw	4	Blank	0 (Toggle)	No	No	No
9 (Std)	1	Cmp 3 Network Sw	5	Blank	0 (Toggle)	No	No	No
10 (Std)	1	Cmp 3 Power Sw	6	Blank	0 (Toggle)	No	No	No
11 (Std)	1	Cmp 4 Network Sw	7	Blank	0 (Toggle)	No	No	No
12 (Std)	1	Cmp 4 Power Sw	8	Blank	0 (Toggle)	No	No	No
5 (Std)	2	Cmp 5 Network Sw	1	Blank	0 (Toggle)	No	No	No
6 (Std)	2	Cmp 5 Power Sw	2	Blank	0 (Toggle)	No	No	No
13 (Std)	2	Cmp 6 Network Sw	3	Blank	0 (Toggle)	No	No	No
14 (Std)	2	Cmp 6 Power Sw	4	Blank	0 (Toggle)	No	No	No
7 (Std)	3	Cmp 7 Network Sw	1	Blank	0 (Toggle)	No	No	No
8 (Std)	3	Cmp 7 Power Sw	2	Blank	0 (Toggle)	No	No	No
15 (Std)	3	Cmp 8 Network Sw	3	Blank	0 (Toggle)	No	No	No
16 (Std)	3	Cmp 8 Power Sw	4	Blank	0 (Toggle)	No	No	No

AREA INFORMATION								
Partition Number	Area Number	Area Name	Account Number	Auto Arm	Auto Disarm	Armed Output	Late Output	Common Area
1	1	Cmp 1 Network	No Change	No	No	0	0	No
1	2	Cmp 1 Power	No Change	No	No	0	0	No
1	3	Cmp 2 Network	No Change	No	No	0	0	No
1	4	Cmp 2 Power	No Change	No	No	0	0	No
1	5	Cmp 3 Network	No Change	No	No	0	0	No
1	6	Cmp 3 Power	No Change	No	No	0	0	No
1	7	Cmp 4 Network	No Change	No	No	0	0	No
1	8	Cmp 4 Power	No Change	No	No	0	0	No
2	1	Cmp 5 Network	No Change	No	No	0	0	No
2	2	Cmp 5 Power	No Change	No	No	0	0	No
2	3	Cmp 6 Network	No Change	No	No	0	0	No
2	4	Cmp 6 Power	No Change	No	No	0	0	No
3	1	Cmp 7 Network	No Change	No	No	0	0	No
3	2	Cmp 7 Power	No Change	No	No	0	0	No
3	3	Cmp 8 Network	No Change	No	No	0	0	No
3	4	Cmp 8 Power	No Change	No	No	0	0	No

ZONE INFORMATION					
Zone Number	Zone Name	Zone Type	Partition	Fire Bell Out	Alarm Action
11	Cmp 1 Net Tamper	SV	1	0	No Changes
21	Cmp 1 Pwr Tamper	SV	1	0	No Changes
31	Cmp 2 Net Tamper	SV	1	0	No Changes
41	Cmp 2 Pwr Tamper	SV	1	0	No Changes
1	Cmp 3 Net Tamper	SV	1	0	No Changes
2	Cmp 3 Pwr Tamper	SV	1	0	No Changes
3	Cmp 4 Net Tamper	SV	1	0	No Changes
4	Cmp 4 Pwr Tamper	SV	1	0	No Changes
51	Cmp 5 Net Tamper	SV	1	0	No Changes
61	Cmp 5 Pwr Tamper	SV	1	0	No Changes
5	Cmp 6 Net Tamper	SV	1	0	No Changes
6	Cmp 6 Pwr Tamper	SV	1	0	No Changes
71	Cmp 7 Net Tamper	SV	1	0	No Changes
81	Cmp 7 Pwr Tamper	SV	1	0	No Changes
7	Cmp 8 Net Tamper	SV	1	0	No Changes
8	Cmp 8 Pwr Tamper	SV	1	0	No Changes

User Code Programming for Eight Computers

USER PROFILES						
Partition	Profile Number	Profile Name	Access	Arm / Disarm	Door Access	Allow
1	1	Cmp 1 Network	1	No	Yes	Any
1	2	Cmp 1 Power	2	No	Yes	Any
1	3	Cmp 2 Network	3	No	Yes	Any
1	4	Cmp 2 Power	4	No	Yes	Any
1	5	Cmp 3 Network	5	No	Yes	Any
1	6	Cmp 3 Power	6	No	Yes	Any
1	7	Cmp 4 Network	7	No	Yes	Any
1	8	Cmp 4 Power	8	No	Yes	Any
2	1	Cmp 5 Network	1	No	Yes	Any
2	2	Cmp 5 Power	2	No	Yes	Any
2	3	Cmp 6 Network	3	No	Yes	Any
2	4	Cmp 6 Power	4	No	Yes	Any
3	1	Cmp 7 Network	1	No	Yes	Any
3	2	Cmp 7 Power	2	No	Yes	Any
3	3	Cmp 8 Network	3	No	Yes	Any
3	4	Cmp 8 Power	4	No	Yes	Any

USER CODES				
Partition	User Number	User Code Number	User Name	Profile Number
1	11	Enter User Code (Pin)	Enter User Name	1
1	12	Enter User Code (Pin)	Enter User Name	2
1	13	Enter User Code (Pin)	Enter User Name	3
1	14	Enter User Code (Pin)	Enter User Name	4
1	15	Enter User Code (Pin)	Enter User Name	5
1	16	Enter User Code (Pin)	Enter User Name	6
1	17	Enter User Code (Pin)	Enter User Name	7
1	18	Enter User Code (Pin)	Enter User Name	8
2	11	Enter User Code (Pin)	Enter User Name	1
2	12	Enter User Code (Pin)	Enter User Name	2
2	13	Enter User Code (Pin)	Enter User Name	3
2	14	Enter User Code (Pin)	Enter User Name	4
3	11	Enter User Code (Pin)	Enter User Name	1
3	12	Enter User Code (Pin)	Enter User Name	2
3	13	Enter User Code (Pin)	Enter User Name	3
3	14	Enter User Code (Pin)	Enter User Name	4

Notes

Digital Monitoring Products

2500 N. Partnership Boulevard Springfield, MO 65803 800-641-4282