

MODEL XR6 WIRING DIAGRAM

Refer to the XR6 Installation Guide (LT-0229) for a complete description of wiring connections.

Refer to the XR6 Programming Guide (LT-0230) for complete programming instructions.

NFPA 72

This equipment should be installed in accordance with Chapter 2 of the National Fire Alarm Code, ANSI/NFPA 72-1996, (National Fire Protection Association, Batterymarch Park, Quincy, MA 02269). Printed information describing proper installation, operation, testing, maintenance, evacuation planning, and repair service is to be provided with this equipment. Warning: Owner's instruction notice, not to be removed by anyone except occupant.

Types of Service

When used with the 350A

Enclosure:

suitable for Grade A Local and Police Connect Mercantile Premises with basic line security, Grade A Local and Police Connect Mercantile Safe and Vault with basic line security, Grade B Central Station and Grade A proprietary. See sections 17.3, 18.6, 19.2, and 19.5 - 19.7.

Suitable for Household Fire and Grade A Household Burglary. Test weekly.

DMP transformers:

Model 320
16.5 VAC 40VA
Class 2 wire-in

Model 321
16.5 VAC 40VA
Class 2 plug-in

Model 324
16.5 VAC 20VA
Class 2 plug-in

Secondary Power Supply

1.2 Amps max. charging current. Use only 12 VDC rechargeable batteries. DMP Model 367. Replace every 3 - 5 years.

Bell

10.4 - 13.2 VDC
Total current:
1.5 Amps max. w/ 40 VA
600mA w/ 20 VA

Household System

An alarm sounding device must be installed indoors so that it is clearly heard in all sleeping areas.

Keypads

Models 670, 770, 771,
100mA @ 8 - 16 VDC
125mA with display lit

Models 690, 790, 791,
793
100mA @ 8 - 16 VDC

Model 692
75mA @ 8 - 16 VDC

Household Fire Warning

UL Recognized limited energy cable must be used for connection of all initiating, indicating, and supplementary devices.

POWER LIMITED

All circuits on the Model XR6 comply with the requirements for inherent power limitation and are Class 2.

Output Header J11

All outputs must be connected to devices located within the same room as the control panel. Use DMP Model 300 Harness.

Front Tamper

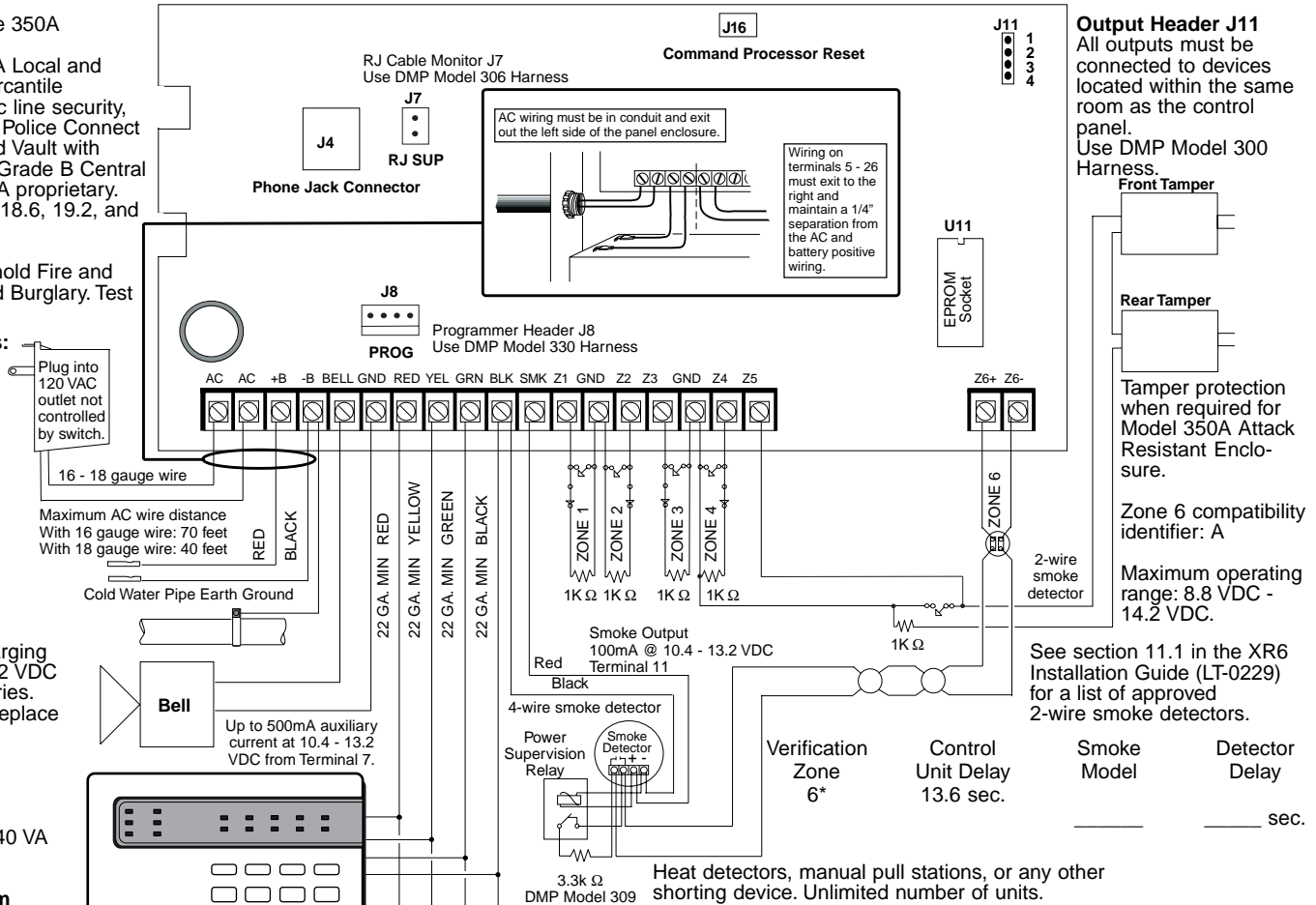
Rear Tamper

Tamper protection when required for Model 350A Attack Resistant Enclosure.

Zone 6 compatibility identifier: A

Maximum operating range: 8.8 VDC - 14.2 VDC.

See section 11.1 in the XR6 Installation Guide (LT-0229) for a list of approved 2-wire smoke detectors.



WARNING

THIS UNIT MAY BE PROGRAMMED TO USE AN ALARM VERIFICATION FEATURE THAT RESULTS IN A DELAY OF THE SYSTEM ALARM SIGNAL FROM THE INDICATED CIRCUITS. THE TOTAL DELAY (CONTROL UNITS PLUS SMOKE DETECTORS) SHALL NOT EXCEED 60 SECONDS. NO OTHER SMOKE DETECTOR SHALL BE CONNECTED TO THESE CIRCUITS UNLESS APPROVED BY THE LOCAL AUTHORITY HAVING JURISDICTION.