

738I ITI™ Interface Module

Description

The 738I ITI™ Wireless Interface Module allows you to interface ITI™ SuperBus™ 2000 Series Wireless receivers with the DMP XR500 Series, XR100 Series, XT30 Series and XT50 Series. This module allows up to 96 supervised, programmable zones of ITI wireless transmitters when used with the ITI™ MAX SuperBus™ 2000 Radio Receiver. The 738I allows 32 zones when used with the ITI™ 32-Zone SuperBus™ 2000 Radio Receiver, and allows 16 zones when used with the ITI™ 16-Zone SuperBus™ 2000 Radio Receiver. Tables 1 and 2 list compatible wireless receivers and transmitters.

Wall Mountings

The 738I ships installed in a decorative, high-impact plastic case that mounts directly to walls, backboards, or other flat surfaces. Wire entrances are provided on the back and at each of the ends of the case for installation ease. The bottom half of the plastic case contains two screw holes for mounting the case on single-gang switch boxes or rings.

Enclosure Mountings

You can mount the 738I in a Model 349 medium or Model 350 large enclosure using the standard 3-hole mounting configuration.

1. Use a screwdriver to separate the housing top and base then carefully use the screwdriver to remove the 738I PCB from the housing base.
2. Mount the plastic standoffs to the enclosure using the three included Phillips head screws.
3. Insert the screws from the outside of the enclosure through the holes and into the plastic standoff that mounts on the inside of the enclosure.
4. After the standoffs are tightened and secured onto the enclosure, snap the 738I onto the standoffs.

738I Connection

For installation ease, the 738I connects to the panel 4-wire keypad data bus. The 738I also connects to the LX-Bus™ of XR500 Series or XR100 Series panels.

Use a 4-wire harness to easily connect the 738I to an ITI Wireless Receiver.

Note: When programming 738I zones on the LX-Bus of an XR500 Series or XR100 Series Panel, select NO when prompted whether the zone is wireless.

DMP Bus Header (J1)

For connection to a keypad bus, connect the provided Model 300 4-wire harness (with one 4-wire connector) from the DMP BUS header (J1) to the Command Processor™ panel terminals marked Red (7), Yellow (8), Green (9), and Black (10). For connection to the LX-Bus, connect the provided Model 300 4-wire harness from the DMP BUS header (J1) to the four wires of the LX-Bus.

Receiver Header (J3)

Connect the provided Model 300 4-wire harness from the RECEIVER header (J3) to the ITI wireless receiver.

Red = +12	Green = B
Yellow = A	Black = GND

PROG Header (J4)

When programming the 738I, connect the provided Model 330 programming cable (with two 4-wire connectors) from the PROG header (J4) to any DMP 32-character LCD keypad.

PROGRAM Header (J2)

Place the provided jumper across the PROGRAM header (J2) to enter 738I programming mode. When finished programming, remove the jumper from the PROGRAM header (J2) and place it over one pin for future use.

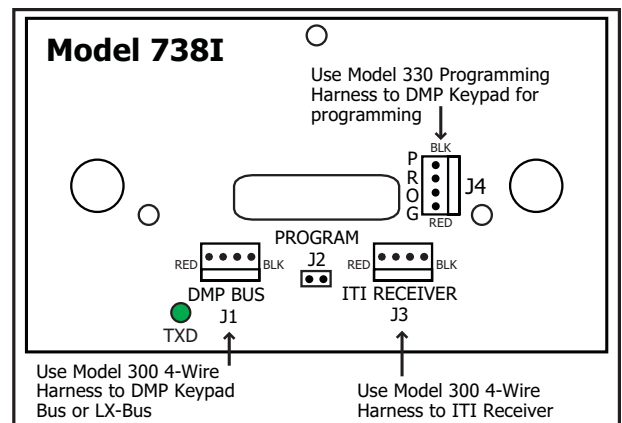


Figure 1: 738I Connection



Wiring Specifications

The maximum wire distance between the ITI wireless receiver and the 738I is 3 feet.

Supported Wireless Receivers and Transmitters

Table 1 lists the wireless receivers supported and Table 2 lists the wireless transmitters supported.

Model Name	Number of Zones Supported per DMP Panel		
	XT30	XT50	XR500 Series, XR100 Series
16-Zone SuperBus™ 2000 Radio Receiver	16 Zones	16 Zones	16 Zones
32-Zone SuperBus™ 2000 Radio Receiver	16 Zones	32 Zones	32 Zones
MAX SuperBus™ 2000 Radio Receiver	16 Zones	32 Zones	96 Zones

Table 1: ITI Wireless Receivers Supported

Model Name	ITI Model Number
2-Button SAW Keychain Touchpad	60-707-0195R
4-Button SAW Keychain Touchpad (See Note)	60-659-95R
2-Button Crystal Keyfob	60-607-319.5
4-Button Crystal Keyfob (See Note)	60-606-319.5
SAW Door/Window Sensor	60-670-95R
Crystal Standard Door/Window Sensor	60-362-10-319.5
Crystal Long-Life Door/Window Sensor	60-641-95
Recessed Micro Door/Window Sensor	60-741-95
Crystal PIR Motion Sensor	60-703-95
SAW PIR Motion Sensor	60-639-95R
Wireless AP750W PIR Motion Sensor	60-880-95
SAW Pet Immune PIR Motion Sensor	60-807-95R
DS 924i Pet Immune PIR Motion Sensor	60-511-02-95
SAW Outdoor PIR Motion Sensor	60-639-95R-OD
Water-Resistant Pendant Panic Sensor	60-578-10-95
Wrist Watch Panic Sensor	60-906-95
Wireless ShatterPro™ Glassbreak Sensor	60-873-95
Learn Mode DS 924i PIR Motion Sensor	60-511-01-95
<p>Note: During 738I programming, the keyfob can be assigned to one zone that operates only the top two buttons by selecting Arming zone, style Maintain. After programming is complete, the Lock button enables a maintained Short condition that arms the assigned area(s). The Unlock button restores the zone to a Normal condition that disarms the assigned area(s).</p>	

Table 2: ITI Wireless Transmitters Supported

Programming

Connect the Model 330 Programming Cable from the J4 PROG header to any DMP 32-character LCD keypad set to address 1. Refer to the specific keypad installation sheet for information on changing the keypad address. Place the jumper across the J2 PROGRAM header. The 738I immediately enters programming mode. Press the COMMAND key to continue.

Note: While in programming mode, all 738I communication to the panel stops.

INIT ALL?	NO	YES
-----------	----	-----

Initialization

Press the Select key under YES to reset all programming options to the factory default. Press the Select key under NO to maintain all programming options at their current settings.

BUS:	*KYPD	LX
------	-------	----

Panel Bus Type

Press the Select key under KYPD when connecting the 738I to the panel keypad bus. Press the Select key under LX when connecting the 738I to the panel LX-Bus. Press the COMMAND key to accept the selection. An asterisk appears to the left of the bus type selected.

ZONE NO:

Zone Number

Enter the two-character zone number (01 through 96) to be programmed. If the zone number is less than ten (10), enter a leading zero, such as 01. Refer to Table 3 for Keypad Bus Zone numbers. Press COMMAND to accept the entry.

For LX-Bus Zone Numbers enter the right two digits of the zone number. The panel automatically enters the hundreds digit representing the LX-Bus slot where the card is installed. See Table 4. Press COMMAND to accept the entry.

Keypad Address	Zone Numbers			
	XR100 Series	*XR500 Series	XT30	XT50
1	11 to 14	11 to 14	11 to 14	11 to 14
2	21 to 24	21 to 24	21 to 24	21 to 24
3	31 to 34	31 to 34	31 to 34	31 to 34
4	41 to 44	41 to 44	41 to 44	41 to 44
5	51 to 54	51 to 54	N/A	N/A
6	61 to 64	61 to 64	N/A	N/A
7	71 to 74	71 to 74	N/A	N/A
8	81 to 84	81 to 84	N/A	N/A

*XR500 Series panels support 16 addresses. 738I only supports 8 addresses.

Table 3: Keypad Bus Zone Numbers

LX-Bus Zone Numbers						
738I Zone	XR100 Series	XR500 Series				
	LX-Bus 1	LX-Bus A	LX-Bus B	LX-Bus C	LX-Bus D	LX-Bus E
1	501	501	601	701	801	901
2	502	502	602	702	802	902
3	503	503	603	703	803	903
4	504	504	604	704	804	904
...
16	516	516	616	716	816	916
17	517	517	617	717	817	917
...
32	532	532	632	732	832	932
33	533	533	633	733	833	933
...
44	544	544	644	744	844	944
45	545	545	645	745	845	945
...
57	557	557	657	757	857	957
58	558	558	658	758	858	958
...
66	566	566	666	766	866	966
67	567	567	667	767	867	967
...
78	578	578	678	778	878	978
79	579	579	679	779	879	979
...
81	581	581	681	781	881	981
82	582	582	682	782	882	982
...
95	595	595	695	795	895	995
96	596	596	696	796	896	996

Table 4: LX-Bus Zone Numbers

*UN RF UR

Transmitter Type

Enter a transmitter type by pressing the Select keys below the type of transmitter used as shown on the LCD. For example, press the third from the left Select key to choose unsupervised. Refer to the installation instructions provided with the ITI transmitter for additional information. Default is UN. An asterisk appears to the left of the transmitter type chosen. Press the COMMAND key to accept selection.

UN = Unused Zone RF = Supervised Transmitter UR = Unsupervised Transmitter

When a wireless transmitter reed switch, contact, or button is in a faulted condition, then the corresponding panel zone is SHORTED. When a wireless transmitter tamper is in a faulted condition, the corresponding panel zone is OPEN. A supervised transmitter must report to the 738I at least once every 30 hours or that zone is indicated as missing to the DMP panel.

TRANSMIT NOW

Transmit Now

This is the transmitter learn function and the message displays until the learn function completes. You must trip the transmitter tamper by removing the cover. This sends a transmitter identification to the 738I, identifying the device. The 738I stores the identification and learns the transmitter.

ALREADY ZONE XX

Already Zone

Indicates that the transmitter has previously been learned as a zone. This message continuously displays until the Back Arrow or COMMAND key is pressed. When the Back Arrow key is pressed, programming returns to TRANSMIT NOW to allow a different transmitter to be learned. When the COMMAND key is pressed, programming returns to ZONE number. (xx = zone number)

EXT *UN NC NO

External Contact

Select the type of external contact the transmitter is using. Press the Select key under NC for a Normally Closed circuit. Press the Select key under NO for a Normally Open circuit. Press the Select key under UN if an external contact is not used on this transmitter. An asterisk appears next to the currently selected option.

Exit Programming

Remove the jumper from the PROGRAM header (J2) to exit the 738I programming mode. Place the jumper over one pin for future use. Remove the Model 330 cable and the 32-character keypad from PROG header (J4). After exiting programming mode, all zone states report to the panel as NORMAL. Test and verify all zones for proper communication.

738I LED Operation

The green LED on the 738I Module indicates data transmission to the Command Processor panel.

On: There are no transmitters programmed.

Off: The 738I is not being programmed, or the 738I is not responding to the panel.

Flashes: The 738I is transmitting data to the panel, or it is being programmed.

Specifications

Primary Power 12 VDC
Current Draw 42mA
Dimensions 3" W x 5.5" H x .75" D

Panel Compatibility

XR500 Series, XR100 Series, XT30, XT50

Certifications

FCC Part 15



800-641-4282

www.dmp.com

Designed, Engineered and Assembled in U.S.A.

INTRUSION • FIRE • ACCESS • NETWORKS

2500 North Partnership Boulevard

Springfield, Missouri 65803-8877