

865 STYLE W/X NOTIFICATION MODULE

Installation Guide

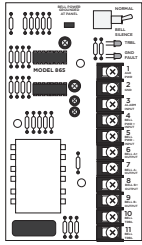


Figure 1: 865 Module

DESCRIPTION

The 865 NAC module provides Style W or X supervision for ground faults, opens, and shorts on notification appliance circuits connected to fire alarm control panels. The 865 is suitable for use with 2 or 4-wire circuits.

The module also includes a Trouble LED, Ground Fault LED, and a set of Normally Closed Trouble contacts to indicate off normal conditions. Additionally, the module includes a Bell Silence switch for use during testing or service.

Connect a maximum 5 Amp, 12 or 24 VDC regulated, power limited power supply listed for Fire Protective Signals to the module to support alarm power requirements beyond the panel alarm output capacity.

Compatibility

- XT30/XT50 Series panels
- XR150/XR550 Series panels

What is Included?

- One 865 NAC Module
- One Model 308 10k Ohm Resistor with Leads
- Hardware Pack



1 MOUNT THE MODULE

The module can be mounted in a DMP enclosure using the standard 3-hole mounting pattern. Refer to Figure 2 as needed during installation.

1. Hold the plastic standoffs against the inside of the enclosure side wall.
2. Insert the included Phillips head screws from the outside of the enclosure into the standoffs. Tighten the screws.
3. Carefully snap the module onto the standoffs.

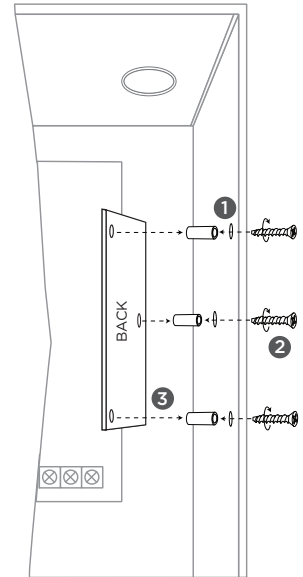


Figure 2: Standoff and Module Installation

2 WIRE THE MODULE

Caution: Disconnect all power from the panel before wiring the module. Failure to do so may result in equipment damage or personal injury.

For power connections, use 22 AWG or larger wire. Refer to Figure 3 and Figure 4 when wiring the module.

1. Connect module Terminal 1 to panel Terminal 7.
2. Connect module Terminal 2 to panel Terminal 10.
3. Connect module Terminal 3 to panel Terminal 5.
4. Wire power supply positive to module Terminal 4.
5. Wire power supply negative to module Terminal 5.
6. If powering the NACs from the control panel, connect a jumper between module Terminals 3 and 4 and between Terminals 2 and 5. For supervised circuits, ground fault is detected at 0 (zero) Ohms.
7. For Style W connections, wire module Terminals 6-11 as shown in Figure 3. Install the included 10k Ohm EOL resistor across Bell Output A + and Bell Output A -.
8. For Style X connections, wire module Terminals 6-11 as shown in Figure 4. Trouble contacts are connected to a zone on the panel to indicate NAC trouble or ground faults. The common relay is rated 30 VDC @ 1 Amp, resistive.
9. For Style W and Style X circuits, install a jumper on the Bell Ground Header. The jumper also disables the alarm bell output in the event of a ground fault on either side of the notification circuit.

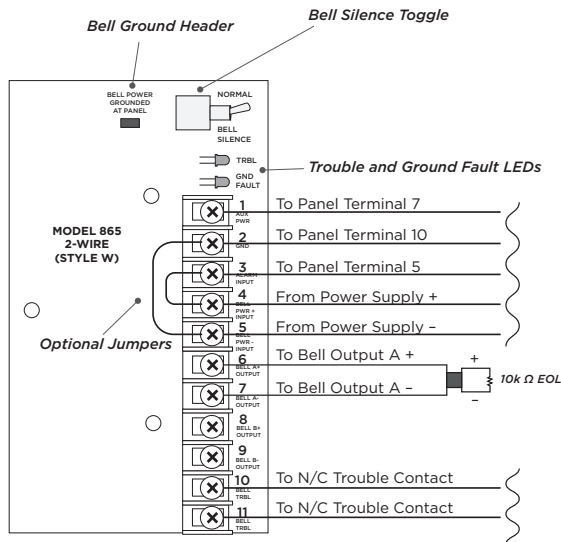


Figure 3: Style W Wiring Connections

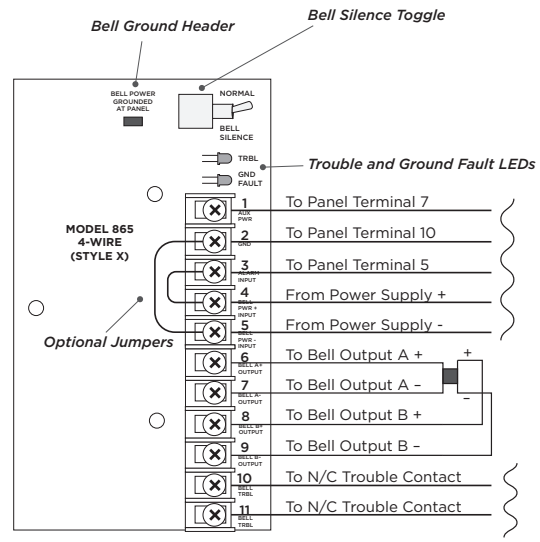


Figure 4: Style X Wiring Connections

ADDITIONAL INFORMATION

Wiring Specifications

DMP recommends using 18 or 22 AWG for all LX-Bus and Keypad Bus connections. The maximum wire distance between any module and the DMP Keypad Bus or LX-Bus circuit is 1,000 feet. To increase the wiring distance, install an auxiliary power supply, such as a DMP Model 505-12. Maximum voltage drop between a panel or auxiliary power supply and any device is 2.0 VDC. If the voltage at any device is less than the required level, add an auxiliary power supply at the end of the circuit.

To maintain auxiliary power integrity when using 22-gauge wire on Keypad Bus circuits, do not exceed 500 feet. When using 18-gauge wire, do not exceed 1,000 feet. Maximum distance for any bus circuit is 2,500 feet regardless of wire gauge. Each 2,500 foot bus circuit supports a maximum of 40 LX-Bus devices.

For additional information refer to the LX-Bus/Keypad Bus Wiring Application Note (LT-2031) and the 710 Bus Splitter/Repeater Module Installation Guide (LT-0310).

Bell Silence Switch

A bell silence toggle prevents the indicating device from sounding during a system test. When the Bell Silence position is selected, a 15-second delay occurs before the module bell trouble contacts open. After testing, return the bell silence switch to the Normal position to return the module to normal operation.

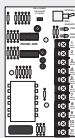
LED Operation

- Trouble: Lights during an open, short, or short-to-ground on the indicating circuit.
- Ground Fault: Lights during a short-to-ground on the indicating circuit.

865 STYLE W/X NOTIFICATION MODULE

Specifications

Operating Voltage	
Terminal 1	9.6 to 14.2 VDC
Operating Current	
Terminal 1	26 mA idle and 85 mA in alarm
Terminal 3	33 mA max
Max Alarm Current	
Terminal 4	30 VDC @ 5 Amps with listed power supply



Ordering Information

865	Style W/X Notification Module
-----	-------------------------------

Accessories

308	10k Ohm Replacement Resistor
-----	------------------------------

Compatibility

XT30/XT50 Series Panels
XR150/XR550 Series Panels

Certifications

California State Fire Marshal (CSFM)
New York City (FDNY COA #6167)
Underwriters Laboratory (UL) Listed
ANSI/UL 1023 Household Burglar Alarm System Units
ANSI/UL 864 Fire Protective Signaling Systems



Designed, engineered, and manufactured in Springfield, MO using U.S. and global components.

LT-0179.1.02 20271

© 2020

INTRUSION • FIRE • ACCESS • NETWORKS

2500 North Partnership Boulevard
Springfield, Missouri 65803-8877

800.641.4282 | DMP.com