

# 777 KEYPAD PROTECTOR

## Installation Sheet

### DESCRIPTION

The 777 Keypad Protector allows you to properly safeguard LCD keypads. The protector's locked cover provides secure protection against keypad access and tampering. The 777 also provides protection against outdoor conditions, such as moderate precipitation. The keypad protector also has a built-in lock that allows you to restrict keypad access to authorized persons.

### COMPATIBILITY

- LCD Keypads (7000 or 9000 Series Thinline, Aqualite, and Icon Keypads)

### WHAT'S INCLUDED

- One 777 Keypad Protector
- One spare adhesive gasket
- Hardware pack

### INSTALLATION

Install your keypad before installing the protector. Leave approximately two inches of clearance on each side of the keypad. To install the keypad protector, complete the following steps.

1. Attach the locking cover to the open backbox with the included short screws. You can install the cover to open from the top or from the bottom. Refer to Figure 1.
2. Remove the paper backing from the adhesive gasket. Align the gasket holes with the assembly mounting holes. Press the gasket onto the back of the protector assembly. Refer to Figure 2.
3. Center the assembly around the mounted keypad and mark each mounting hole on the wall.
4. Set the assembly aside. Drill the mounting holes and install the wall anchors.
5. Attach the assembly to the wall with the included long screws. Refer to Figure 3.
6. Close the cover, lock it, and remove the key.

### SPECIFICATIONS

Dimensions	9.75" W x 8.50" H x 2.00" D 24.77 cm W x 21.59 cm H x 5.08 cm D
Material	Transparent Polycarbonate

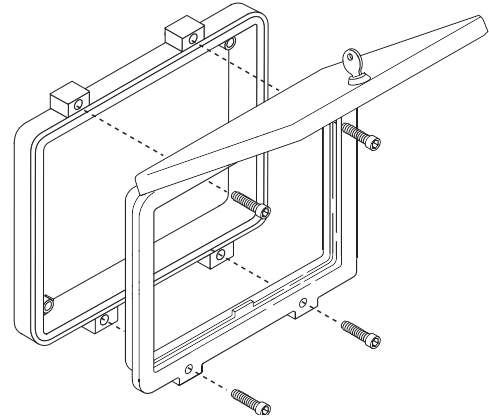


Figure 1: Attaching Cover to Backbox

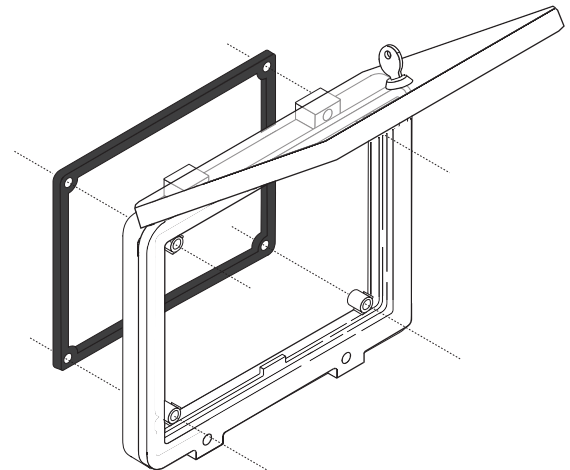


Figure 2: Affixing Gasket to Assembly

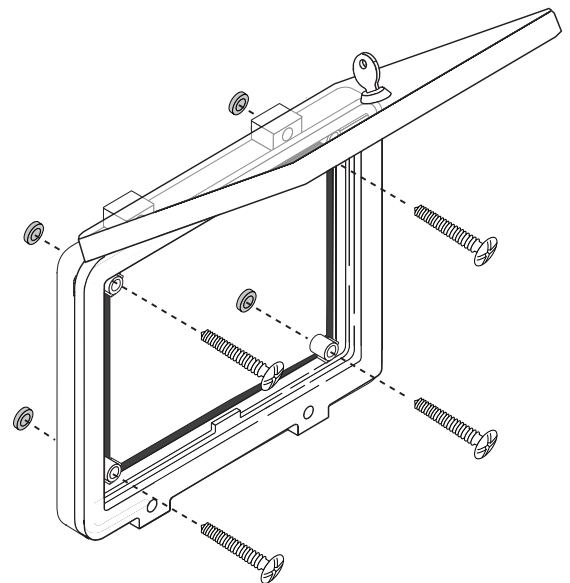


Figure 3: Mounting Protector Assembly to Wall