

## 866 Style W Notification Module

### Description

The 866 Notification Module provides one 5 Amp Style W notification circuit for supervising listed, polarized notification devices such as bells, strobes, and horns.

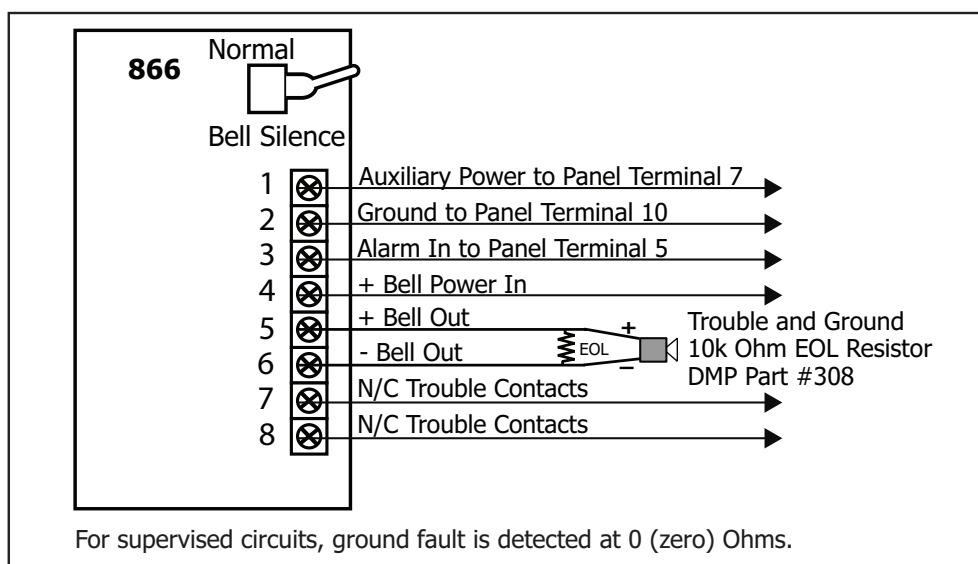
### Installation

The 866 mounts on the right side of the panel enclosure using the standard three-hole configuration.

1. Mount the plastic standoffs to the enclosure using the three provided Phillips head screws.
2. Insert the screws from the outside of the enclosure through the holes and into the plastic standoff which mounts on the inside of the enclosure and tighten.
3. After securing the standoffs onto the enclosure, snap the 866 onto the standoffs.

### Wiring

Refer to Figure 1 to properly connect notification circuits to the 866 Notification Module. See the panel installation guide for the types and number of notification appliances allowed.



**Figure 1: Connecting Notification Appliances**

### Bell Silence/Bell Trouble

A bell silence switch on the 866 module is provided to prevent the indicating device from sounding during a system test. When the **Silence** position is selected, a 15-second delay occurs before the 866 bell trouble contacts (terminals 7 and 8) open. After testing, return the bell silence switch to the **Normal** position to return the 866 module to normal operation.

### Auxiliary Power Supply Supervision

The panel supervises the regulated, power limited auxiliary power supply listed for Fire Protective Signals through the normally closed trouble contacts on the power supply. The power supply trouble contacts connect to terminals 7 and 8 on the 866 module (see Figure 1). The 866 Style W Notification Module provides a relay and two bell trouble contacts at terminals 7 and 8 to connect the zone input from the panel. When the bell circuit is in a bad condition, these terminals provide an open condition to the zone. These trouble contacts are rated for up to 2 Amps at 30 VDC resistive. An open on the circuit causes an open condition to be reported to the panel.

### Panel Programming Changes

Program the trouble contacts on the 866 module and the auxiliary power supply as a Supervisory Zone selected for display in the keypad status list. See the specific panel Programming Guide for more information.

## Troubleshooting

If there is a delay of approximately 20 seconds before the bells connected to the 866 module sound, check that terminal 7 from the panel is correctly wired to terminal 1 of the 866 module. This provides constant 12 VDC power to the 866 module. The delay can also occur if the 10K Ohm EOL resistor is not installed on the notification device circuit, as shown in Figure 1

### Specifications

Operating Current (from panel)  
Standby: 45 mA  
Alarm: 76 mA  
Alarm Contact Rating  
5 Amps at 24 VDC resistive  
Trouble Contact Rating  
2 Amps at 30 VDC resistive  
Maximum impedance is 100 Ohms

### Panel Compatibility

XT30/XT50 Series, XR100/XR500 Series and  
XR150/XR350/XR550 Series panels.

### Certifications

California State Fire Marshal (CSFM)  
New York City (FDNY COA #6167)  
ANSI/UL 1023 Household Burglar  
ANSI/UL 985 Household Fire Warning  
ANSI/UL 864 Fire Protective Signaling



800-641-4282

[www.dmp.com](http://www.dmp.com)

Designed, Engineered and  
Assembled in U.S.A.

INTRUSION • FIRE • ACCESS • NETWORKS

2500 North Partnership Boulevard

Springfield, Missouri 65803-8877